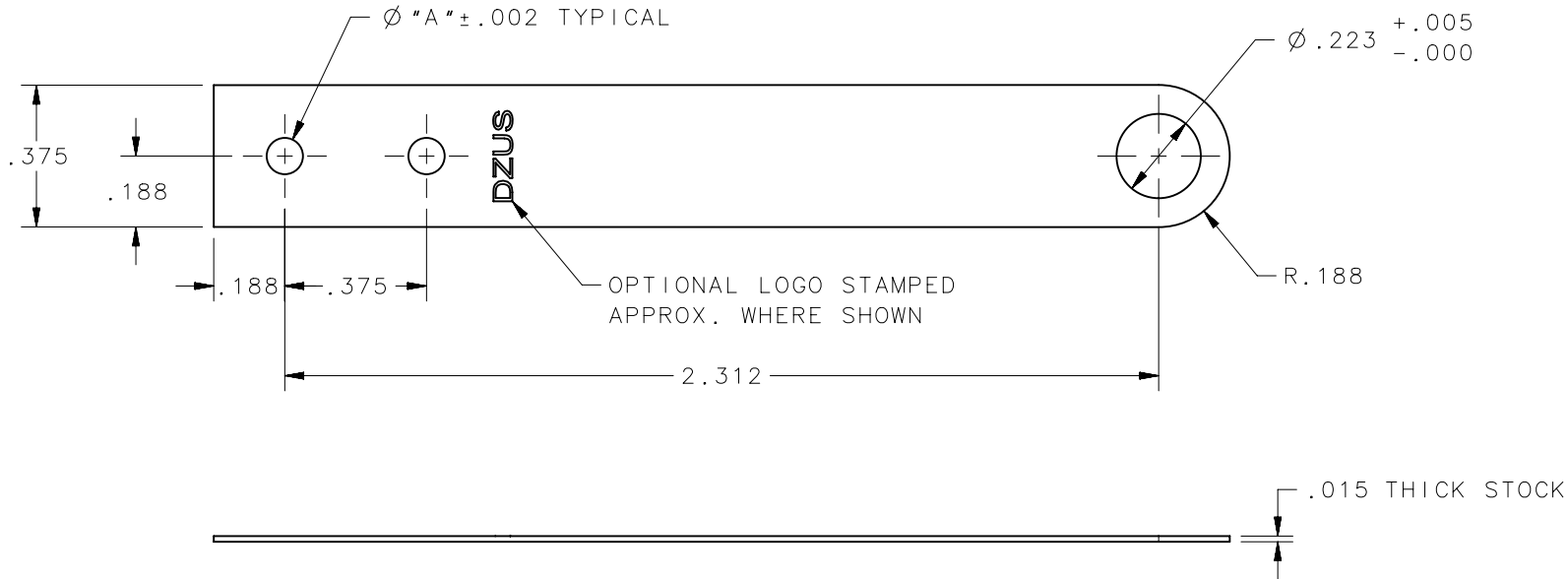
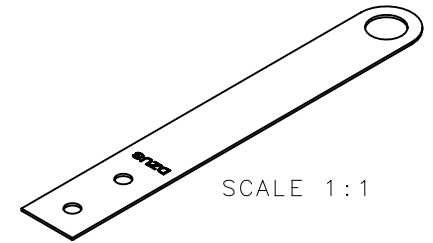


REVISION HISTORY			
REV	DATE	BY	DESCRIPTION
B	28JUL2017	SPD/YGC	PRN: P2017-1862



NOTES:

A. MATERIAL: A.I.S.I. C1095 STEEL, SPRING TEMPER
FINISH: TRIM RP 06 (RUST INHIBITOR)

B. MATERIAL: TYPE 302 STAINLESS STEEL, SPRING TEMPER
FINISH: PASSIVATED

1224-159-1-BB	D4-X159-1LNNA	SEE NOTE A	.100
1224-159-BB	D4-X159LNNA		.096
1224-159-SS	D4-X159SSNA	SEE NOTE B	.096
1224-159-1-SS	D4-X159-1SSNA		.100
DFCI PART NUMBER	SOUTHCO PART NUMBER	MATERIAL AND FINISH	DIM "A"

THIRD ANGLE PROJECTION		 CONNECT • CREATE • INNOVATE	
INCHES [MM]			
TOLERANCES UNLESS OTHERWISE NOTED		DESCRIPTION	
X° ±2°		LINE STUD EJECTING BLADE	
X/X ±1/32		SIZE	SYSTEM
.XX ±.015		A	NX
.XXX ±.010		DWG NO.	J-D4-X159NA
PER ASME Y14.5M-1994		DRAWN BY	DATE
<small>PROPRIETARY ITEM</small> <small>EXCEPT FOR USES EXPRESSLY GRANTED IN WRITING, INFORMATION DISCLOSED HEREON IS CONFIDENTIAL AND ALL RIGHTS, PATENT AND OTHERWISE, ARE RESERVED BY SOUTHCO, INC.</small>		CMS/NJF	30JUL2015
		SCALE	SHEET
		2:1	1 OF 1