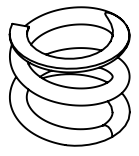
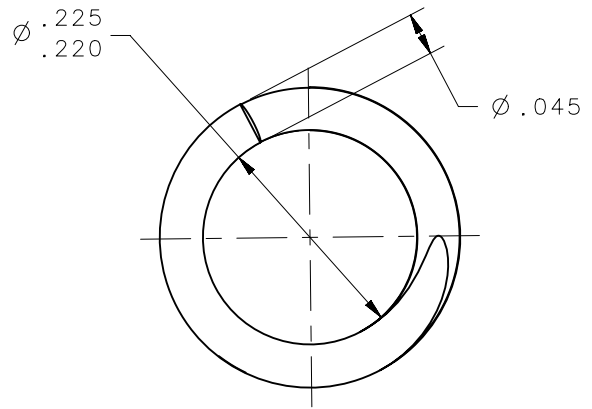
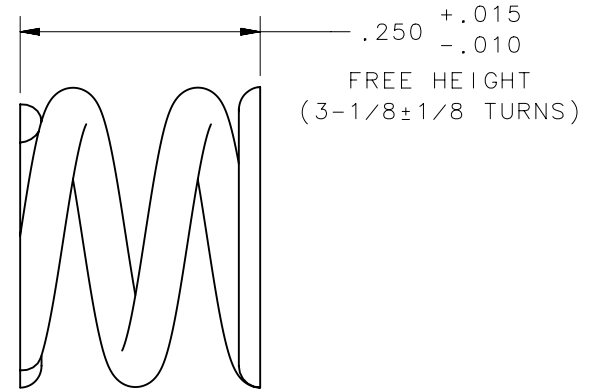


REVISION HISTORY			
REV	DATE	BY	DESCRIPTION
B	09SEP2017	NBK/VK	PRN: P2017-2212



SCALE 2:1



3519-SS	D5-PS35SSNA	STAINLESS STEEL	PASSIVATED		
3519-XXXX	D5-PS35XXXNA	-	SEE NOTE 1		
DFCI PART NUMBER	SOUTHCO PART NUMBER	MATERIAL	FINISH		
	THIRD ANGLE PROJECTION	 CONNECT • CREATE • INNOVATE			
CAGE CODE	INCHES [MM]				
SURFACE AREA	TOLERANCES UNLESS OTHERWISE NOTED	DESCRIPTION SPRING			
VOLUME	ALL DIMENSIONS WITHOUT TOLERANCES ARE FOR REFERENCE ONLY.				
PROPRIETARY ITEM	PER ASME Y14.5M-1994	SIZE A	SYSTEM NX	DWG NO. J-D5-PS35NA	
EXCEPT FOR USES EXPRESSLY GRANTED IN WRITING, INFORMATION DISCLOSED HEREON IS CONFIDENTIAL AND ALL RIGHTS, PATENT AND OTHERWISE, ARE RESERVED BY SOUTHCO, INC.		DRAWN BY CMS/JCG	DATE 04FEB2015	SCALE 5:1	SHEET 1 OF 1

NOTES:
1. ADD SUFFIX PER J-D5-0-3 FOR ALTERNATIVE FINISH.