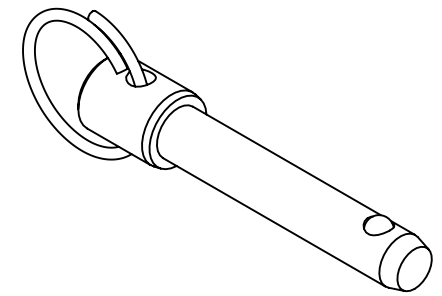
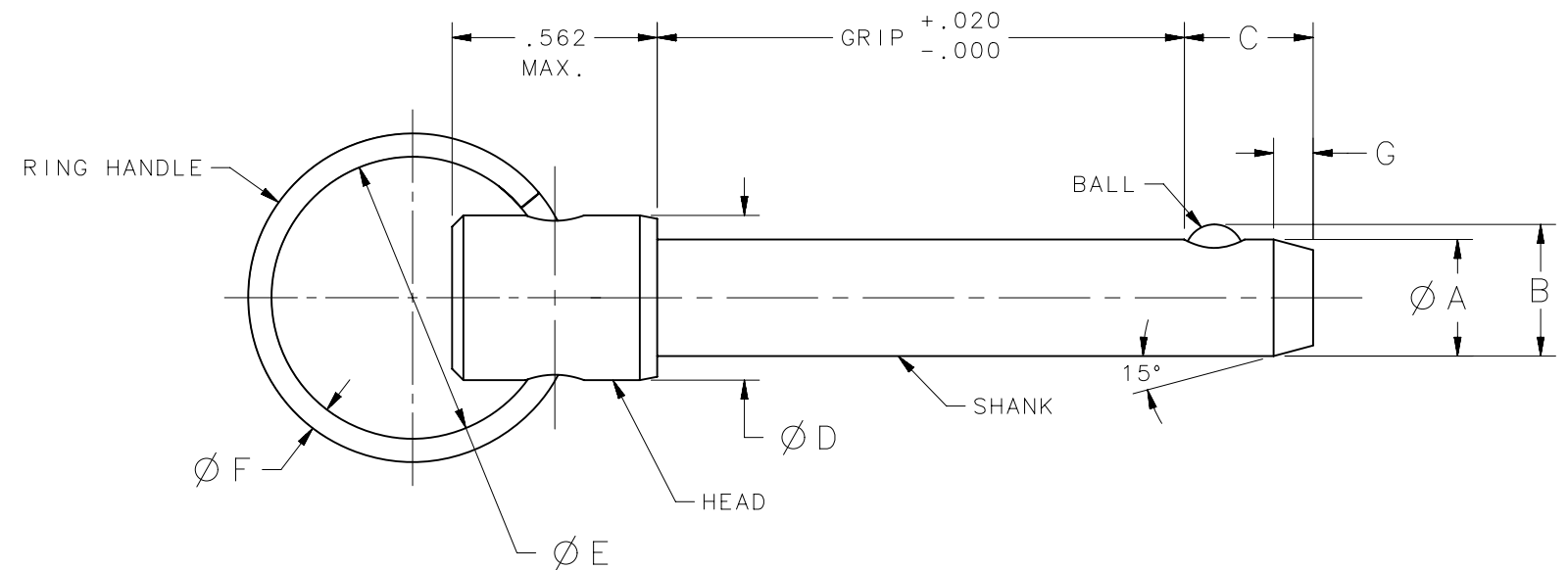


PIN SIZE	NOMINAL DIAMETER	Ø A <sup>+0.0000</sup> -0.0015	B ±.010	C MAX.	Ø D ±.010	Ø E ±.03	Ø F ±.010	(G)	INSTALL HOLE		CALCULATED DOUBLE SHEAR (lbf) SEE NOTE 2
									MIN	MAX	
3	3/16	.1885	.213	.219	.312	.75	.062	.05	.190	.194	5280
4	1/4	.2485	.280	.282	.375	.75	.062	.07	.250	.254	9200
5	5/16	.3110	.350	.343	.438	.75	.062	.10	.3125	.3165	14440
6	3/8	.3735	.421	.391	.500	1.00	.062	.12	.375	.379	20860
7	7/16	.4360	.491	.436	.563	1.00	.062	.13	.4375	.4425	28460
8	1/2	.4985	.562	.500	.623	1.00	.062	.17	.500	.505	37240
9	9/16	.5610	.631	.562	.688	1.50	.105	.20	.5625	.5675	47200
10	5/8	.6235	.702	.624	.750	1.50	.105	.22	.625	.630	58340
12	3/4	.7485	.843	.718	.875	1.50	.105	.25	.750	.757	84140
14	7/8	.8735	.983	.843	1.000	2.00	.105	.31	.875	.882	114660
16	1	.9985	1.124	.968	1.125	2.00	.105	.38	1.000	1.010	149900

REVISION HISTORY			
REV	DATE	BY	DESCRIPTION
A	10DEC2014	DMS/YGC	PRN: P2014-2498



SCALE 1:1



NOTES:  
1. EXAMPLE OF PART NUMBER FOR STANDARD PIN ASSEMBLY:

LA-5CW1400

LOCKWELL SINGLE BALL DETENT PIN  
PIN SIZE  
SHANK DIAMETER IN 1/16 INCH INCREMENTS (SEE TABLE)  
SHANK MATERIAL:  
C = STAINLESS STEEL

GRIP:  
GRIP LENGTH IN THOUSANDTH INCH INCREMENTS  
EXAMPLE: 1.400 INCH GRIP LENGTH SHOWN  
HANDLE STYLE:  
W = RING HANDLE WITH SHOULDER

2. SHEAR VALUES BASED ON 60% OF ULTIMATE TENSILE STRENGTH OF MATERIAL.

NO.	PART NUMBER	QTY	TYPE OF COMPONENT	MATERIAL	FINISH	GENERAL NOTES
5	-	1	BALL			-
4	-	1	SPRING			-
3	-	1	RING HANDLE	STAINLESS STEEL	PASSIVATE	-
2	-	1	HEAD			-
1	-	1	SHANK			-
-	LA-XXWX	1	PIN ASSEMBLY	-	-	SEE NOTE 1

THIRD ANGLE PROJECTION				
INCHES [MM]				
SURFACE AREA	TOLERANCES UNLESS OTHERWISE NOTED		DESCRIPTION	
VOLUME	ALL DIMENSIONS WITHOUT TOLERANCES ARE FOR REFERENCE ONLY.		PRECISION DETENT PIN SINGLE BALL DETENT STYLE	
PROPRIETARY ITEM	SIZE B	SYSTEM NX	DWG NO. J-LA-3THRU16-W	
EXCEPT FOR USES EXPRESSLY GRANTED IN WRITING, INFORMATION DISCLOSED HEREON IS CONFIDENTIAL AND ALL RIGHTS, PATENT AND OTHERWISE, ARE RESERVED BY SOUTHCO, INC.	PER ASME Y14.5M-1994	DRAWN BY DMS/YGC	DATE 10DEC2014	SCALE 2:1 SHEET 1 OF 1