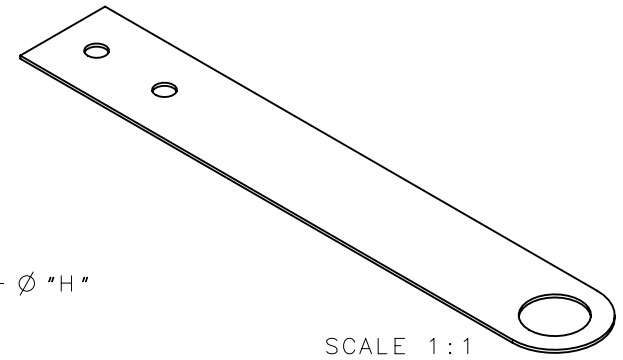
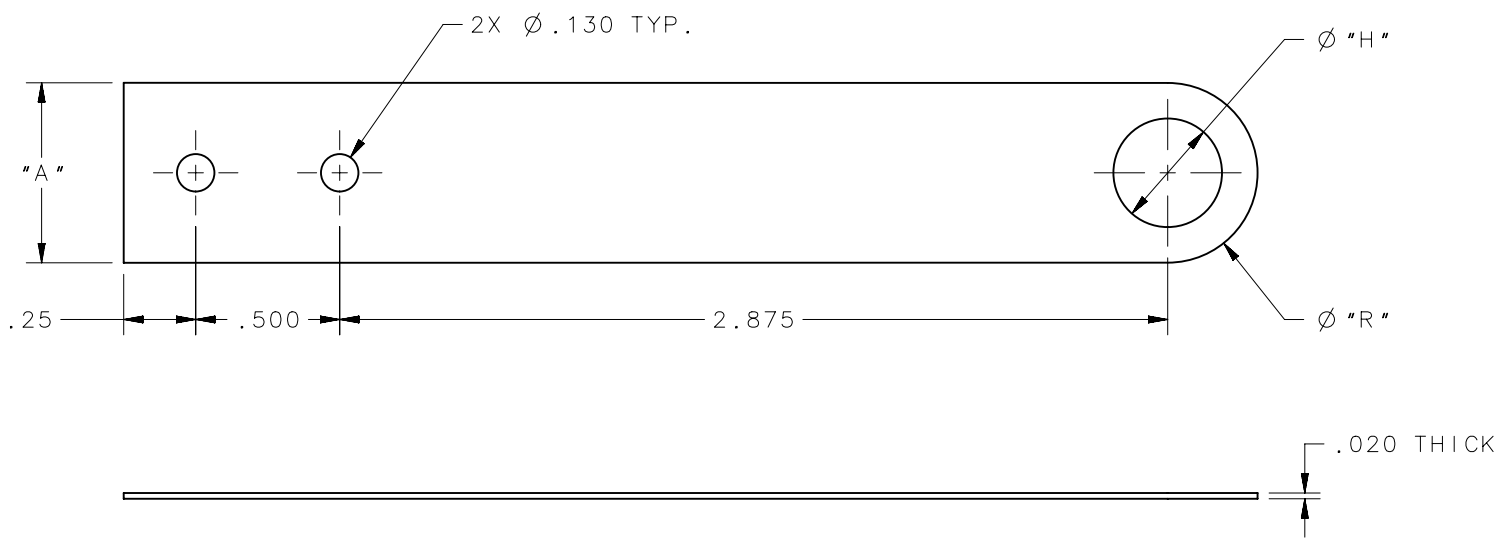


REVISION HISTORY			
REV	DATE	BY	DESCRIPTION
A	30JUL2015	CMS/NJF	INITIAL RELEASE



SCALE 1:1



1224-200-1-BB	D4-X200-1LNNA	0.625	0.377	R0.312	A5	AISI C1095, SPRING TEMPER	TRIM RP 06 (RUST INHIBITOR)
1224-200-3-BB	D4-X200-3LNNA	0.500	0.315	R0.250	A4		302 STAINLESS STEEL, SPRING TEMPER
1224-200-1SS	D4-X200-1SSNA	0.625	0.377	R0.312	A5	SEE NOTE A	
1224-200-3-SS	D4-X200-3SSNA	0.500	0.315	R0.250	A4		
1224-200-3SS-PAS	D4-X200-3SSPSNA	0.500	0.315	R0.250	A4		
DFCI PART NUMBER	SOUTHCO PART NUMBER	A	H	R	TYPE OF FASTENER	MATERIAL	FINISH

NOTES:
 A. PASSIVATION OF STAINLESS STEEL PARTS, AMS-QQ-P-35, RoHS COMPLIANT.
 B. PART TO BE FREE OF BURRS.

THIRD ANGLE PROJECTION	
INCHES [MM]	
TOLERANCES UNLESS OTHERWISE NOTED	
X°	±2°
X/X	±1/32
.XX	±.015
.XXX	±.010
PER ASME Y14.5M-1994	

southco[®]
 CONNECT • CREATE • INNOVATE

DESCRIPTION
 LINE STUD EJECTING BLADE

SIZE A	SYSTEM NX	DWG NO. J-D4-X200NA
DRAWN BY CMS/NJF	DATE 30JUL2015	SCALE 1.5:1
		SHEET 1 OF 1

PROPRIETARY ITEM
 EXCEPT FOR USES EXPRESSLY GRANTED IN WRITING, INFORMATION DISCLOSED HEREON IS CONFIDENTIAL AND ALL RIGHTS, PATENT AND OTHERWISE, ARE RESERVED BY SOUTHCO, INC.