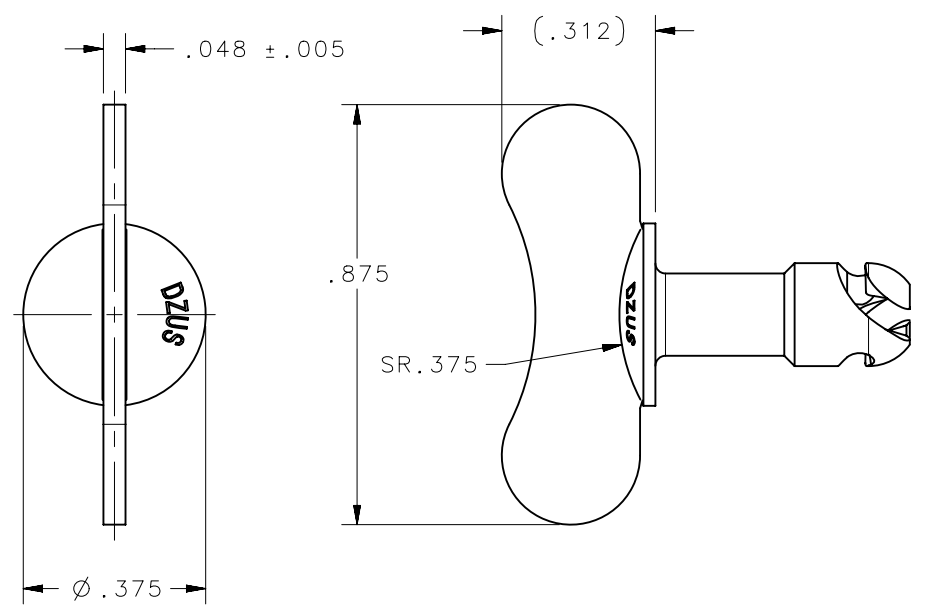
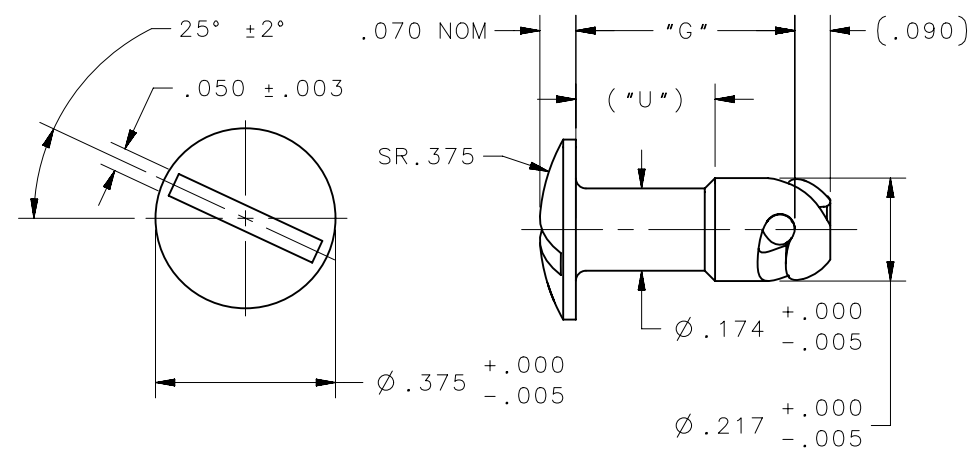


REVISION HISTORY			
REV	DATE	BY	DESCRIPTION
K	24MAY2018	CMS/JW	PRN: P2018-1284

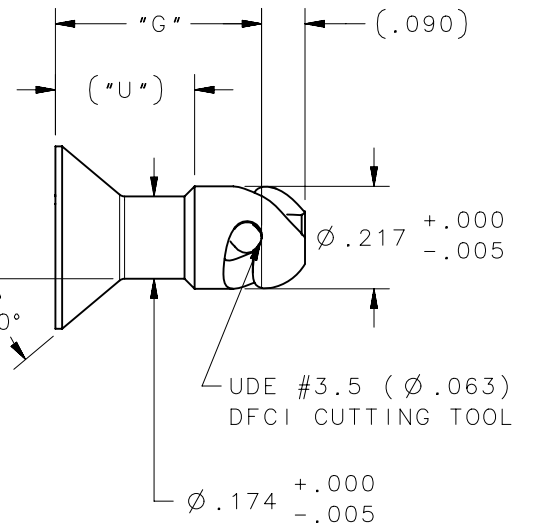
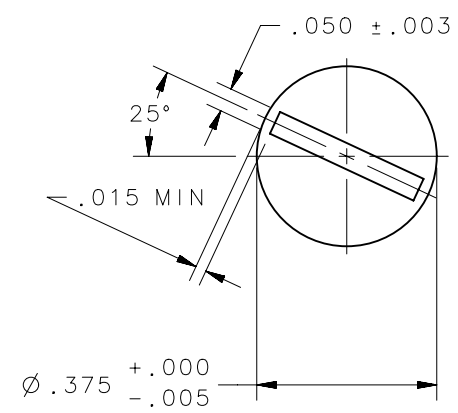
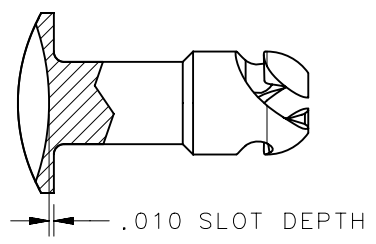


WING HEAD

REFER TO OVAL HEAD FOR ALL OTHER DIMENSIONS



OVAL HEAD, SLOTTED



FLUSH, SLOTTED

D4-X35TKMNA

X = HEAD STYLE

K = LENGTH

M = MATERIAL/FINISH

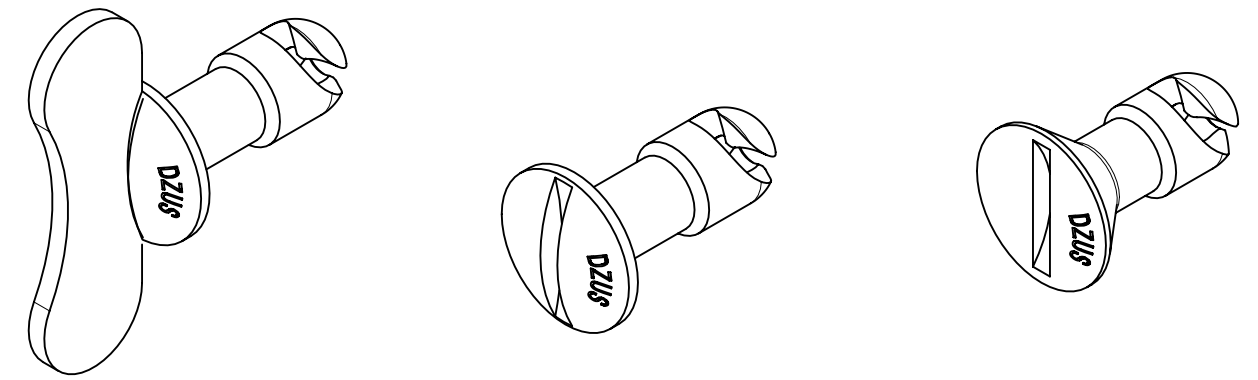
A = OVAL HEAD, SLOTTED  
 AW = WING HEAD  
 F = FLUSH, SLOTTED

SEE TABLE ON SHEET 2

SS18 = STAINLESS STEEL  
 STUD: 17-4 PH  
 WING: 302  
 EX: D4-A35T12DSS18PSNA

STEEL  
 STUD: 8620  
 WING: 1010

REFER TO NOTE 1 FOR OTHER FINISH OPTIONS  
 EX. D4-A35T12CBYNA



- NOTES:
- REFER TO J-D5-0-3 FOR FINISH SUFFIXES AND SPECIFICATIONS.
  - SEE SHEETS 2,3 AND 4 FOR DFCI/DZUS/SOUTHCO PART NUMBER CROSS REFERENCE TABLE AND PART NUMBER ASSOCIATED DIMENSIONS.
  - 8620 STEEL IS HEAT TREATED TO ROCKWELL C30-38.
  - HEAT TREAT FOR "SS18" MATERIAL: STRESS RELIEVE AT 900F FOR ONE HOUR.

D4-X35TKYYYYNA	STEEL (SEE MATERIAL NOTES)	SEE NOTE 1
D4-X35TKSS18YYYYNA	STAINLESS STEEL (SEE MATERIAL NOTES)	PASSIVATE PER AMS-QQ-P-35
SOUTHCO PART NUMBER	MATERIAL	FINISH

CAGE CODE 72794	THIRD ANGLE PROJECTION		
	INCHES [MM]		
TOLERANCES UNLESS OTHERWISE NOTED		DESCRIPTION WING HEAD, OVAL HEAD (SLOTTED) AND FLUSH HEAD (SLOTTED) STUDS	
X° ..... ±2°		SIZE B	SYSTEM NX
X/X ..... ±1/32		DWG NO. J-D4-A35TNA	
.XX ..... ±.015		DRAWN BY CMS/NJF	DATE 08JUN2015
.XXX ..... ±.010		SCALE 2.5:1	SHEET 1 OF 4
PER ASME Y14.5M-1994			

6

5

4

3

2

1

REVISION HISTORY

REV	DATE	BY	DESCRIPTION
K	23MAY2018	CMS/JW	PRN: P2018-1284

DFCI PART NUMBER	DZUS PART NUMBER	SOUTHCO PART NUMBER	DIMENSION "G"	DIMENSION "U"
2351-20-12-C3C	A35T12CBC	D4-A35T12CBCNA	0.350	0.210
2351-20-12-C3Y	A35T12CBY	D4-A35T12CBYNA	0.350	0.210
2351-20-12D18S-PAS	A35T12DSS18PS	D4-A35T12DSS18PSNA	0.350	0.210
2351-20-12D-C3Y	A35T12DCBY	D4-A35T12DCBYNA	0.350	0.210
2351-20-12-Z3CT	A35T12ZCT	D4-A35T12ZCTNA	0.350	0.210
2351-20-15-C3C	A35T15CBC	D4-A35T15CBCNA	0.380	0.250
2351-20-15D18S-PAS	A35T15DSS18PS	D4-A35T15DSS18PSNA	0.380	0.250
2351-20-15D-C3Y	A35T15DCBY	D4-A35T15DCBYNA	0.380	0.250
2351-20-15-Z3CT	A35T15ZCT	D4-A35T15ZCTNA	0.380	0.250
2351-20-18-C3C	A35T18CBC	D4-A35T18CBCNA	0.410	0.290
2351-20-18D18S-PAS	A35T18DSS18PS	D4-A35T18DSS18PSNA	0.410	0.290
2351-20-18D-C3Y	A35T18DCBY	D4-A35T18DCBYNA	0.410	0.290
2351-20-18-Z3CT	A35T18ZCT	D4-A35T18ZCTNA	0.410	0.290
2351-20-21-C3C	A35T21CBC	D4-A35T21CBCNA	0.440	0.290
2351-20-21D18S-PAS	A35T21DSS18PS	D4-A35T21DSS18PSNA	0.440	0.290
2351-20-21D-C3Y	A35T21DCBY	D4-A35T21DCBYNA	0.440	0.290
2351-20-21-Z3CT	A35T21ZCT	D4-A35T21ZCTNA	0.440	0.290
2351-20-22-Z3CT	A35T22ZCT	D4-A35T22ZCTNA	0.450	0.330
2351-20-24-C3C	A35T24CBC	D4-A35T24CBCNA	0.470	0.330
2351-20-24D18S-PAS	A35T24DSS18PS	D4-A35T24DSS18PSNA	0.470	0.330
2351-20-24D-C3Y	A35T24DCBY	D4-A35T24DCBYNA	0.470	0.330
2351-20-24D-Z3CT	A35T24DZCT	D4-A35T24DZCTNA	0.470	0.330
2351-20-24-Z3CT	A35T24ZCT	D4-A35T24ZCTNA	0.470	0.330
2351-20-27-C3C	A35T27CBC	D4-A35T27CBCNA	0.500	0.370
2351-20-27-C3Y	A35T27CBY	D4-A35T27CBYNA	0.500	0.370
2351-20-27D18S-PAS	A35T27DSS18PS	D4-A35T27DSS18PSNA	0.500	0.370
2351-20-27D-C3Y	A35T27DCBY	D4-A35T27DCBYNA	0.500	0.370
2351-20-27D-Z3CT	A35T27DZCT	D4-A35T27DZCT NA	0.500	0.370
2351-20-27-SS	A35T27SS	D4-A35T27SSNA	0.500	0.370
2351-20-27-Z3B	A35T27ZBB	D4-A35T27ZBBNA	0.500	0.370
2351-20-27-Z3CT	A35T27ZCT	D4-A35T27ZCTNA	0.500	0.370
2351-20-30-C3C	A35T30CBC	D4-A35T30CBCNA	0.530	0.410
2351-20-30D18S-PAS	A35T30DSS18PS	D4-A35T30DSS18PSNA	0.530	0.410
2351-20-30D-C3Y	A35T30DCBY	D4-A35T30DCBYNA	0.530	0.410
2351-20-30D-Z3CT	A35T30DZCT	D4-A35T30DZCTNA	0.530	0.410
2351-20-30-Z3CT	A35T30ZCT	D4-A35T30ZCTNA	0.530	0.410
2351-20-33-C3C	A35T33CBC	D4-A35T33CBCNA	0.560	0.410
2351-20-33D18S-PAS	A35T33DSS18PS	D4-A35T33DSS18PSNA	0.560	0.410
2351-20-33D-C3Y	A35T33CBY	D4-A35T33DCBYNA	0.560	0.410
2351-20-33-Z3CT	A35T33ZCT	D4-A35T33ZCTNA	0.560	0.410
2351-20-36-C3C	A35T36CBC	D4-A35T36CBCNA	0.590	0.450
2351-20-36D18S-PAS	A35T36DSS18PS	D4-A35T36DSS18PSNA	0.590	0.450
2351-20-36D-C3Y	A35T36DCBY	D4-A35T36DCBYNA	0.590	0.450
2351-20-36-Z3CT	A35T36ZCT	D4-A35T36ZCTNA	0.590	0.450
2351-20-39D18S-PAS	A35T39DSS18PS	D4-A35T39DSS18PSNA	0.620	0.490
2351-20-39D-C3Y	A35T39DCBY	D4-A35T39DCBYNA	0.620	0.490
2351-20-39-Z3BT	A35T39ZBT	D4-A35T39ZBTNA	0.620	0.490
2351-20-39-Z3CT	A35T39ZCT	D4-A35T39ZCTNA	0.620	0.490
2351-20-3-C3C	A35T3CBC	D4-A35T3CBCNA	0.260	0.130
2351-20-42-C3C	A35T42CBC	D4-A35T42CBCNA	0.650	0.530
2351-20-42D18S-PAS	A35T42DSS18PS	D4-A35T42DSS18PSNA	0.650	0.530

THIRD ANGLE PROJECTION 

INCHES [MM]

TOLERANCES UNLESS OTHERWISE NOTED

X°	±2°
X/X	±1/32
.XX	±.015
.XXX	±.010

PROPRIETARY ITEM  
EXCEPT FOR USES EXPRESSLY GRANTED  
IN WRITING, INFORMATION DISCLOSED  
HEREON IS CONFIDENTIAL AND ALL  
RIGHTS, PATENT AND OTHERWISE,  
ARE RESERVED BY SOUTHCO, INC.

PER ASME Y14.5M-1994



DESCRIPTION  
WING HEAD, OVAL HEAD (SLOTTED) AND  
FLUSH HEAD (SLOTTED) STUDS

SIZE B	SYSTEM NX	DWG NO. J-D4-A35TNA
-----------	--------------	------------------------

DRAWN BY CMS/NJF DATE 08JUN2015 SCALE 1:1 SHEET 2 OF 4

6

5

4

3

2

1

6

5

4

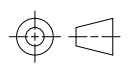
3

2

1

DFCI PART NUMBER	DZUS PART NUMBER	SOUTHCO PART NUMBER	DIMENSION "G"	DIMENSION "U"
2351-20-42D-C3Y	A35T42DCBY	D4-A35T42DCBYNA	0.650	0.530
2351-20-42D-Z3CT	A35T42DZCT	D4-A35T42DZCTNA	0.650	0.530
2351-20-42-Z3CT	A35T42ZCT	D4-A35T42ZCTNA	0.650	0.530
2351-20-45-C3C	A35T45CBC	D4-A35T45CBCNA	0.680	0.530
2351-20-45D18S-PAS	A35T45DSS18PS	D4-A35T45DSS18PSNA	0.680	0.530
2351-20-45D-C3Y	A35T45DCBY	D4-A35T45DCBYNA	0.680	0.530
2351-20-45-Z3BT	A35T45ZBT	D4-A35T45ZBTNA	0.680	0.530
2351-20-45-Z3CT	A35T45ZCT	D4-A35T45ZCTNA	0.680	0.530
2351-20-48D18S-PAS	A35T48DSS18PS	D4-A35T48DSS18PSNA	0.710	0.530
2351-20-48D-C3Y	A35T48DCBY	D4-A35T48DCBYNA	0.710	0.530
2351-20-48-Z3CT	A35T48ZCT	D4-A35T48ZCTNA	0.710	0.530
2351-20-51D18S-PAS	A35T51DSS18PS	D4-A35T51DSS18PSNA	0.740	0.530
2351-20-54-C3C	A35T54CBC	D4-A35T54CBCNA	0.770	0.530
2351-20-57-C3C	A35T57CBC	D4-A35T57CBCNA	0.800	0.530
2351-20-60-C3C	A35T60CBC	D4-A35T60CBCNA	0.830	0.530
2351-20-63-C3C	A35T63CBC	D4-A35T63CBCNA	0.860	0.530
2351-20-6-C3C	A35T6CBC	D4-A35T6CBCNA	0.290	0.170
2351-20-6D18S-PAS	A35T6DSS18PS	D4-A35T6DSS18PSNA	0.290	0.170
2351-20-6D-C3Y	A35T6DCBY	D4-A35T6DCBYNA	0.290	0.170
2351-20-6-Z3CT	A35T6ZCT	D4-A35T6ZCTNA	0.290	0.170
2351-20-72D18S-PAS	A35T72DSS18PS	D4-A35T72DSS18PSNA	0.950	0.530
2351-20-9-C3C	A35T9CBC	D4-A35T9CBCNA	0.320	0.170
2351-20-9-C3Y	A35T9CBY	D4-A35T9CBYNA	0.320	0.170
2351-20-9D18S-PAS	A35T9DSS18PS	D4-A35T9DSS18PSNA	0.320	0.170
2351-20-9D-C3Y	A35T9DCBY	D4-A35T9DCBYNA	0.320	0.170
2351-20-9-Z3CT	A35T9ZCT	D4-A35T9ZCTNA	0.320	0.170
2351-W20-12-C3C	AW35T12CBC	D4-AW35T12CBCNA	0.350	0.210
2351-W20-12D18S-PAS	AW35T12DSS18PS	D4AW35T12DSS18PSNA	0.350	0.210
2351-W20-12D-C3Y	AW35T12DCBY	D4-AW35T12DCBYNA	0.350	0.210
2351-W20-12-Z3CT	AW35T12ZCT	D4-AW35T12ZCTNA	0.350	0.210
2351-W20-15-C3C	AW35T15CBC	D4-AW35T15CBCNA	0.380	0.250
2351-W20-15D18S-PAS	AW35T15DSS18PS	D4AW35T15DSS18PSNA	0.380	0.250
2351-W20-15D-C3C	AW35T15DCBC	D4-AW35T15DCBCNA	0.380	0.250
2351-W20-15D-C3Y	AW35T15DCBY	D4-AW35T15DCBYNA	0.380	0.250
2351-W20-15-Z3CT	AW35T15ZCT	D4-AW35T15ZCTNA	0.380	0.250
2351-W20-18-C3C	AW35T18CBC	D4-AW35T18CBCNA	0.410	0.290
2351-W20-18D18S-PAS	AW35T18DSS18PS	D4AW35T18DSS18PSNA	0.410	0.290
2351-W20-18D-C3C	AW35T18DCBC	D4-AW35T18DCBCNA	0.410	0.290
2351-W20-18D-C3Y	AW35T18DCBY	D4-AW35T18DCBYNA	0.410	0.290
2351-W20-18-Z3CT	AW35T18ZCT	D4-AW35T18ZCTNA	0.410	0.290
2351-W20-21D18S-PAS	AW35T21DSS18PS	D4AW35T21DSS18PSNA	0.440	0.290
2351-W20-21D-C3Y	AW35T21DCBY	D4-AW35T21DCBYNA	0.440	0.290
2351-W20-21-Z3CT	AW35T21ZCT	D4-AW35T21ZCTNA	0.440	0.290
2351-W20-24D18S-PAS	AW35T24DSS18PS	D4AW35T24DSS18PSNA	0.470	0.330
2351-W20-24D-C3Y	AW35T24DCBY	D4-AW35T24DCBYNA	0.470	0.330
2351-W20-24-Z3CT	AW35T24ZCT	D4-AW35T24ZCTNA	0.470	0.330
2351-W20-27-C3C	AW35T27CBC	D4-AW35T27CBCNA	0.500	0.370
2351-W20-27D18S-PAS	AW35T27DSS18PS	D4AW35T27DSS18PSNA	0.500	0.370
2351-W20-27D-C3Y	AW35T27DCBY	D4-AW35T27DCBYNA	0.500	0.370
2351-W20-27-Z3CT	AW35T27ZCT	D4-AW35T27ZCTNA	0.500	0.370
2351-W20-30-C3C	AW35T30CBC	D4-AW35T30CBCNA	0.530	0.410

REVISION HISTORY			
REV	DATE	BY	DESCRIPTION
K	23MAY2018	CMS/JW	PRN: P2018-1284

THIRD ANGLE PROJECTION 

INCHES [MM]

TOLERANCES UNLESS OTHERWISE NOTED

X° ..... ±2°

X/X ..... ±1/32

.XX ..... ±.015

.XXX ..... ±.010

PER ASME Y14.5M-1994

**southco**<sup>®</sup>  
CONNECT • CREATE • INNOVATE

DESCRIPTION  
WING HEAD, OVAL HEAD (SLOTTED) AND  
FLUSH HEAD (SLOTTED) STUDS

SIZE B SYSTEM NX DWG NO. J-D4-A35TNA

DRAWN BY CMS/NJF DATE 08JUN2015 SCALE 1:1 SHEET 3 OF 4

6

5

4

3

2

1

6

5

4

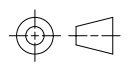

3

2

1

REVISION HISTORY			
REV	DATE	BY	DESCRIPTION
K	23MAY2018	CMS/JW	PRN: P2018-1284

DFCI PART NUMBER	DZUS PART NUMBER	SOUTHCO PART NUMBER	DIMENSION "G"	DIMENSION "U"
2351-W20-33D18S-PAS	AW35T33DSS18PS	D4AW35T33DSS18PSNA	0.560	0.410
2351-W20-33D-C3Y	AW35T33DCBY	D4-AW35T33DCBYNA	0.560	0.410
2351-W20-33D-Z3CT	AW35T33DZCT	D4-AW35T33DZCTNA	0.560	0.410
2351-W20-33-Z3CT	AW35T33ZCT	D4-AW35T33ZCTNA	0.560	0.410
2351-W20-36-C3C	AW35T36CBC	D4-AW35T36CBCNA	0.590	0.450
2351-W20-36D18S-PAS	AW35T36DSS18PS	D4AW35T36DSS18PSNA	0.590	0.450
2351-W20-36D-C3Y	AW35T36DCBY	D4-AW35T36DCBYNA	0.590	0.450
2351-W20-36-Z3CT	AW35T36ZCT	D4-AW35T36ZCTNA	0.590	0.450
2351-W20-39-C3C	AW35T39CBC	D4-AW35T39CBCNA	0.620	0.490
2351-W20-39D18S-PAS	AW35T39DSS18PS	D4AW35T39DSS18PSNA	0.620	0.490
2351-W20-39D-C3Y	AW35T39DCBY	D4-AW35T39DCBYNA	0.620	0.490
2351-W20-39-Z3CT	AW35T39ZCT	D4-AW35T39ZCTNA	0.620	0.490
2351-W20-42D18S-PAS	AW35T42DSS18PS	D4AW35T42DSS18PSNA	0.650	0.530
2351-W20-42D-C3Y	AW35T42DCBY	D4-AW35T42DCBYNA	0.650	0.530
2351-W20-42-Z3CT	AW35T42ZCT	D4-AW35T42ZCTNA	0.650	0.530
2351-W20-45-C3C	AW35T45CBC	D4-AW35T45CBCNA	0.680	0.530
2351-W20-45D18S-PAS	AW35T45DSS18PS	D4AW35T45DSS18PSNA	0.680	0.530
2351-W20-45D-C3Y	AW35T45DCBY	D4-AW35T45DCBYNA	0.680	0.530
2351-W20-45-Z3CT	AW35T45ZCT	D4-AW35T45ZCTNA	0.680	0.530
2351-W20-48D-C3Y	AW35T48DCBY	D4-AW35T48DCBYNA	0.710	0.530
2351-W20-48-Z3CT	AW35T48ZCT	D4-AW35T48ZCTNA	0.710	0.530
2351-W20-51D18S-PAS	AW35T51DSS18PS	D4AW35T51DSS18PSNA	0.740	0.530
2351-W20-51D-C3Y	AW35T51DCBY	D4-AW35T51DCBYNA	0.740	0.530
2351-W20-54-C3C	AW35T54CBC	D4-AW35T54CBCNA	0.770	0.530
2351-W20-54-Z3CT	AW35T54ZCT	D4-AW35T54ZCTNA	0.770	0.530
2351-W20-60D-C3Y	AW35T60DCBY	D4-AW35T60DCBYNA	0.830	0.530
2351-W20-6-C3C	AW35T6CBC	D4-AW35T6CBCNA	0.290	0.170
2351-W20-6-C3Y	AW35T6CBY	D4-AW35T6CBYNA	0.290	0.170
2351-W20-6D18S-PAS	AW35T6DSS18PS	D4-AW35T6DSS18PSNA	0.290	0.170
2351-W20-6D-C3C	AW35T6DCBC	D4-AW35T6DCBCNA	0.290	0.170
2351-W20-6D-C3Y	AW35T6DCBY	D4-AW35T6DCBYNA	0.290	0.170
2351-W20-6-Z3CT	AW35T6ZCT	D4-AW35T6ZCTNA	0.290	0.170
2351-W20-9D18S-PAS	AW35T9DSS18PS	D4-AW35T9DSS18PSNA	0.320	0.170
2351-W20-9D-C3Y	AW35T9DCBY	D4-AW35T9DCBYNA	0.320	0.170
2351-W20-9-Z3CT	AW35T9ZCT	D4-AW35T9ZCTNA	0.320	0.170
2356-20-12-Z3CT	F35T12ZCT	D4-F35T12ZCTNA	0.350	0.210
2356-20-15D-C3Y	F35T15DCBY	D4-F35T15DCBYNA	0.380	0.210
2356-20-15-Z3CT	F35T15ZCT	D4-F35T15NA	0.380	0.250
2356-20-18-C3C	F35T18CBC	D4-F35T18CBCNA	0.410	0.290
2356-20-18-Z3CT	F35T18ZCT	D4-F35T18NA	0.410	0.290
2356-20-24-C3C	F35T24CBC	D4-F35T24CBCNA	0.470	0.330
2356-20-24D-C3Y	F35T24DCBY	D4-F35T24DCBYNA	0.470	0.330
2356-20-27-Z3CT	F35T27ZCT	D4-F35T27ZCTNA	0.500	0.370
2356-20-6-C3C	F35T6CBC	D4-F35T6CBCNA	0.290	0.170
2356-20-6-Z3CT	F35T6ZCT	D4-F35T6ZCTNA	0.290	0.170
2356-20-9D-C3Y	F35T9DCBY	D4-F35T9DCBYNA	0.320	0.170
2356-20-18-Z3CT	F35T18ZCT	D4-F35T18ZCTNA	0.410	0.290

 THIRD ANGLE PROJECTION	 <b>southco</b> <sup>®</sup> CONNECT • CREATE • INNOVATE	
	INCHES [MM]	
	TOLERANCES UNLESS OTHERWISE NOTED X° ..... ±2° X/X ..... ±1/32 .XX ..... ±.015 .XXX ..... ±.010	
	DESCRIPTION WING HEAD, OVAL HEAD (SLOTTED) AND FLUSH HEAD (SLOTTED) STUDS	
PROPRIETARY ITEM <small>EXCEPT FOR USES EXPRESSLY GRANTED IN WRITING, INFORMATION DISCLOSED HEREON IS CONFIDENTIAL AND ALL RIGHTS, PATENT AND OTHERWISE, ARE RESERVED BY SOUTHCO, INC.</small>	SIZE <b>B</b>	SYSTEM <b>NX</b>
PER ASME Y14.5M-1994	DWG NO. <b>J-D4-A35TNA</b>	DATE <b>08JUN2015</b>
DRAWN BY <b>CMS/NJF</b>	SCALE <b>1:1</b>	SHEET <b>4 OF 4</b>

6

5

4

3

2

1