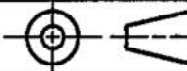


IF IN DOUBT ASK

DO NOT SCALE - WORK TO DIMENSIONS SHOWN

PROJECTION



DRG No

J-D4-X441

ASSEMBLY  
PART No.

X441-310

X441-335

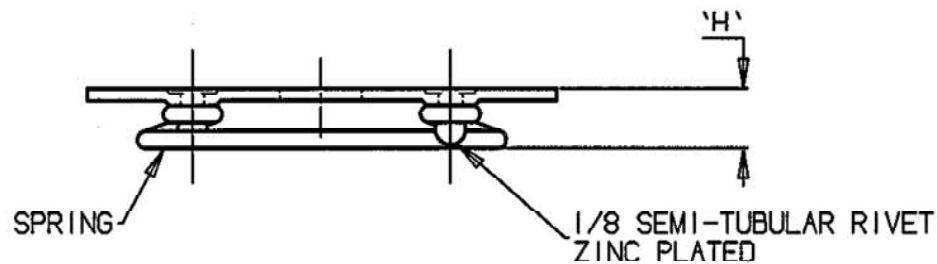
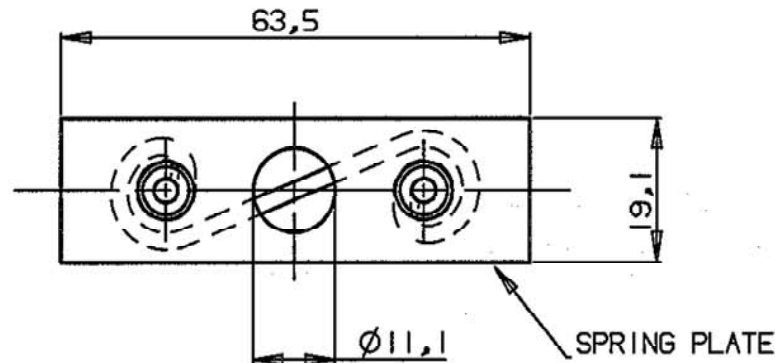
'H'  
APPROX.

.310 (7.87mm)

.335 (8.50mm)

SHT No | OF | SHTS | A4

ISS	CHANGE
A	INITIAL RELEASE



# INDICATES SIGNIFICANT CHARACTERISTIC	MATERIAL		DIMENSIONS IN mm	SCALE: 1:1	DRAWN BY	K.L.SMITH
ASSY DRG No	X	SPECIFICATION	TOLERANCES UNLESS OTHERWISE STATED		CHECKED BY	R.H.BIDWELL
ALSO USED ON		FORM	WHOLE NUMBERS	± 0,50	APPROVED	R/H.BIDWELL 05
<b>DZUS FASTENER EUROPE LTD</b> FARNHAM TRADING ESTATE FARNHAM SURREY GU9 9PL ENGLAND	M/C FINISH		ONE PLACE DECIMAL	± 0,25	DIRECTORY	ISSUE/X
	HEAT TREATMENT		TWO PLACE DECIMAL	± 0,10	No/ASSY	I   FILE No   XX
	PROTECTIVE FINISH	X	HOLE DIAMETER	+ 0,10	DRG No	
		X	DEGREES ANGULAR	- 0	J-D4-X441	
	WEIGHT/QTY	X		± 2°	SHT No   OF   SHTS   A4	
TITLE <b>SPRING PLATE ASSY.</b>						

ALL RIGHTS IN THIS DRAWING ARE THE PROPERTY OF DZUS FASTENER EUROPE LTD. NO COPIES OF THE DRAWING NOR USE OF IT SHALL BE MADE WITHOUT THE EXPRESS APPROVAL OF DZUS FASTENER EUROPE LTD.

