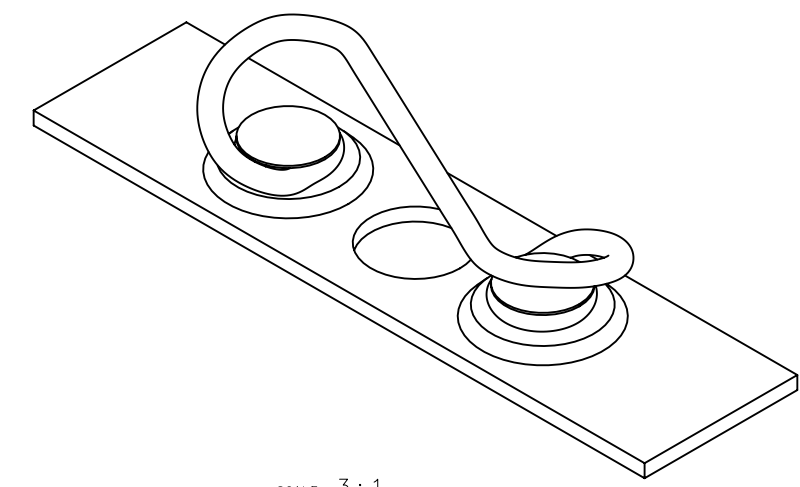
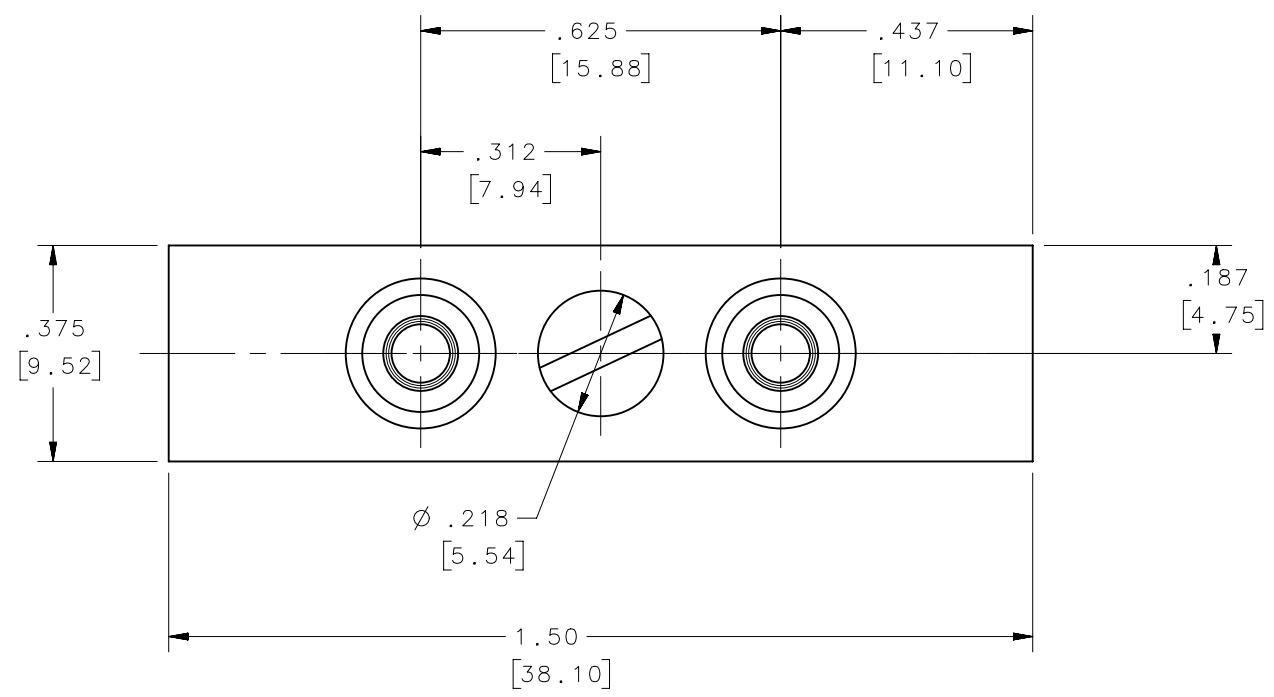
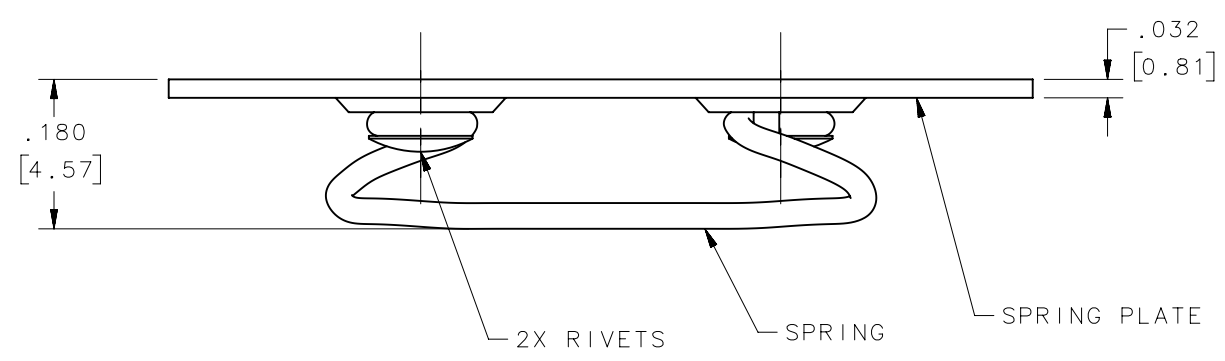


REVISION HISTORY			
REV	DATE	BY	DESCRIPTION
A	30NOV2017	SPD/VK	PRN: P2017-2944



SCALE 3:1



SR.NO	PART NUMBER	QTY	TYPE OF COMPONENT	MATERIAL	FINISH
3	-	2	RIVETS	STEEL	ZINC PLATED
2	-	1	SPRING	SPRING STEEL	ZINC PLATED
1	-	1	SPRING PLATE	STEEL	CLEAN
-	D4-X735-180	-	ASSEMBLY	-	-

PROPRIETARY ITEM <small>EXCEPT FOR USES EXPRESSLY GRANTED IN WRITING, INFORMATION DISCLOSED HEREON IS CONFIDENTIAL AND ALL RIGHTS, PATENT AND OTHERWISE, ARE RESERVED BY SOUTHCO, INC.</small>	THIRD ANGLE PROJECTION				
	INCHES [MM]				
	TOLERANCES UNLESS OTHERWISE NOTED	DESCRIPTION	D4 RECEPTACLE WELD-ON		
	ALL DIMENSIONS WITHOUT TOLERANCES ARE FOR REFERENCE ONLY.	SIZE	SYSTEM	DWG NO.	
PER ASME Y14.5M-1994	B	NX	J-D4-X75		
	DRAWN BY	DATE	SCALE	SHEET	
	SPD/VK	30NOV2017	3:1	1 OF 1	