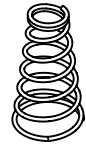
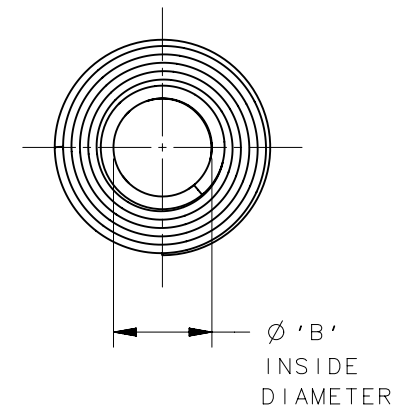
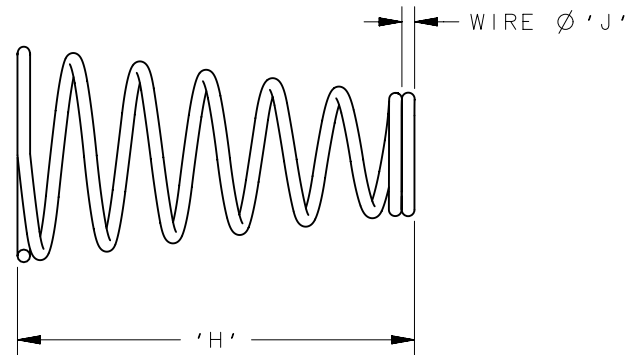
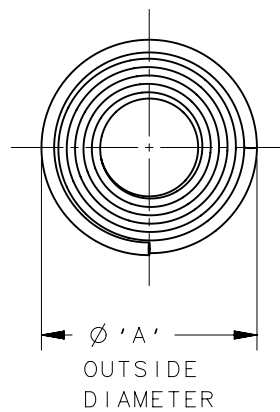


PART NUMBER	STUD	'H'	'A'	'B'	'J'
D4-SX520SS	3	17.5[.690]	7.9[.312]	3.8[.150]	0.48[.018]
D4-SX551SS	3.5	17.5[.690]	9.5[.375]	4.32[.170]	0.56[.022]
D4-SX523SS	4	17.5[.690]	11.1[.437]	5.08[.200]	0.64[.025]
D4-SX510SS	5	19.0[.750]	14.3[.562]	6.48[.255]	0.81[.032]
D4-SX518SS	6	19.0[.750]	15.9[.625]	8.0[.315]	0.88[.035]
D4-SX519SS	7	19.0[.750]	19.0[.750]	9.27[.365]	1.14[.045]

REVISION HISTORY			
REV	DATE	BY	DESCRIPTION
B	09MAR2016	DMS/YGC	PRN: P2016-0521



SCALE 1:1



NOTES:

- THIS DRAWING SUPERCEDES DRAWING J-D4-SX5XX AND J-D4-SX500.
- SS IN PART NUMBER = QA, WHICH DESIGNATES CERTIFIED AND TRACEABLE MATERIALS.

D4-SX5XXSS		SPRING		STAINLESS STEEL		CLEAN	
PART NUMBER		TYPE OF COMPONENT		MATERIAL		FINISH	
		THIRD ANGLE PROJECTION		 CONNECT • CREATE • INNOVATE			
		MILLIMETERS [IN]					
		TOLERANCES UNLESS OTHERWISE NOTED		DESCRIPTION STANDARD RETAINING SPRING SERIES			
		ALL DIMENSIONS WITHOUT TOLERANCES ARE FOR REFERENCE ONLY.		SIZE A4	SYSTEM NX	DWG NO. J-D4-SX500SS	
<small>PROPRIETARY ITEM EXCEPT FOR USES EXPRESSLY GRANTED IN WRITING, INFORMATION DISCLOSED HEREON IS CONFIDENTIAL AND ALL RIGHTS, PATENT AND OTHERWISE, ARE RESERVED BY SOUTHCO, INC.</small>		PER ASME Y14.5M-1994		DRAWN BY MW	DATE 23NOV2011	SCALE 2:1	SHEET 1 OF 1