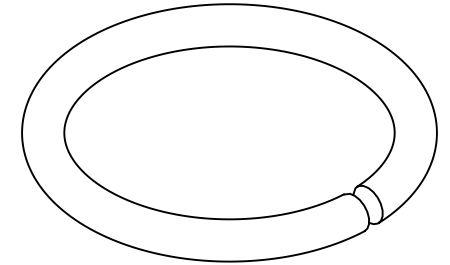
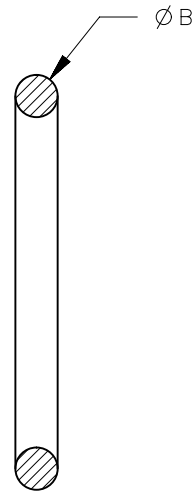
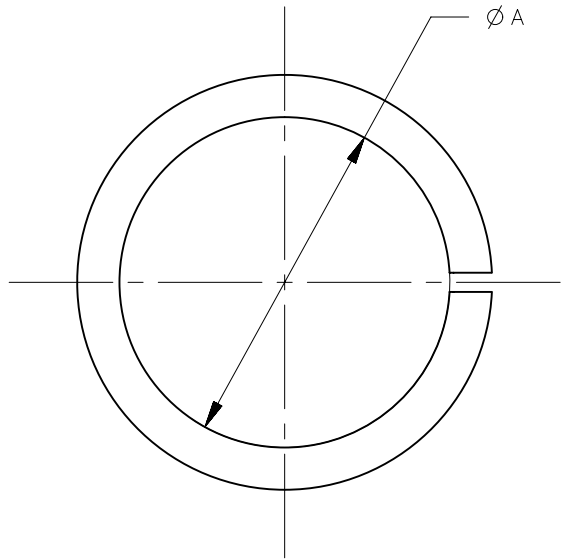
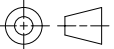


REVISION HISTORY			
REV	DATE	BY	DESCRIPTION
B	21MAR2012	DMS/YGC	PRN: P2012-0378



D4-SR7SS	302 STAINLESS STEEL	PASSIVATED	10.21 [.402]	1.29 [.051]
D4-SR6SS			8.76 [.345]	1.09 [.043]
D4-SR5SS			7.31 [.288]	.89 [.035]
D4-SR4SS			5.84 [.230]	.74 [.029]
D4-SR35SS			5.13 [.202]	.56 [.022]
D4-SR3SS			4.37 [.172]	.56 [.022]
PART NUMBER	MATERIAL	FINISH	A	B

	THIRD ANGLE PROJECTION	 southco [®] CONNECT • CREATE • INNOVATE		
	MILLIMETERS [IN]			
	TOLERANCES UNLESS OTHERWISE NOTED	DESCRIPTION NO.D4 RETAINING RING		
SURFACE AREA	ALL DIMENSIONS WITHOUT TOLERANCES ARE FOR REFERENCE ONLY.	SIZE A4	SYSTEM NX	DWG NO. J-D4-SR
VOLUME		PER ASME Y14.5M-1994	DRAWN BY AJH	DATE 29SEP2005
PROPRIETARY ITEM EXCEPT FOR USES EXPRESSLY GRANTED IN WRITING, INFORMATION DISCLOSED HEREON IS CONFIDENTIAL AND ALL RIGHTS, PATENT AND OTHERWISE, ARE RESERVED BY SOUTHCO, INC.				SHEET 1 OF 1