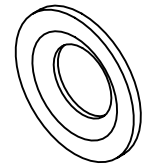
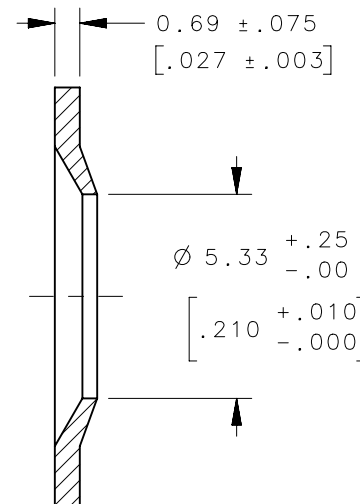
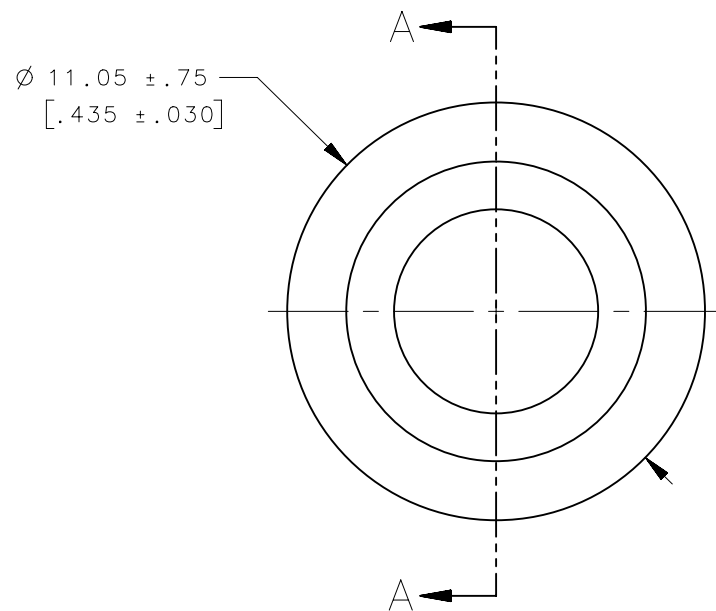


REVISION HISTORY			
REV	DATE	BY	DESCRIPTION
E	17FEB2017	CMS/NJF	PRN: P2017-0400

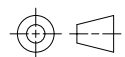


SCALE 2:1



SECTION A-A

D4-GP4B	POLYPROPYLENE	BLACK
D4-GP4	HD POLYTHENE	NATURAL
PART NUMBER	MATERIAL	COLOR

THIRD ANGLE PROJECTION	 southco [®] CONNECT • CREATE • INNOVATE		
MILLIMETERS [IN]			
TOLERANCES UNLESS OTHERWISE NOTED	DESCRIPTION HALF GROMMET		
ALL DIMENSIONS WITHOUT TOLERANCES ARE FOR REFERENCE ONLY.	SIZE A4	SYSTEM NX	DWG NO. J-D4-GP4
PER ASME Y14.5M-1994	DRAWN BY MJW	DATE 30JUL2007	SCALE 5:1 SHEET 1 OF 1

PROPRIETARY ITEM
EXCEPT FOR USES EXPRESSLY GRANTED
IN WRITING, INFORMATION DISCLOSED
HEREON IS CONFIDENTIAL AND ALL
RIGHTS, PATENT AND OTHERWISE,
ARE RESERVED BY SOUTHCO, INC.