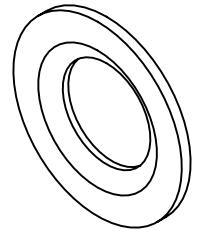
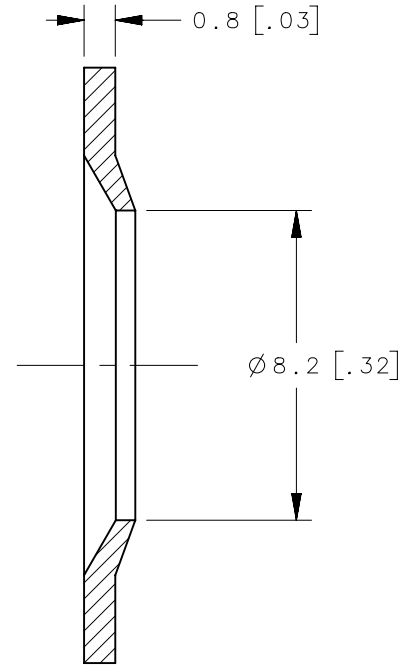
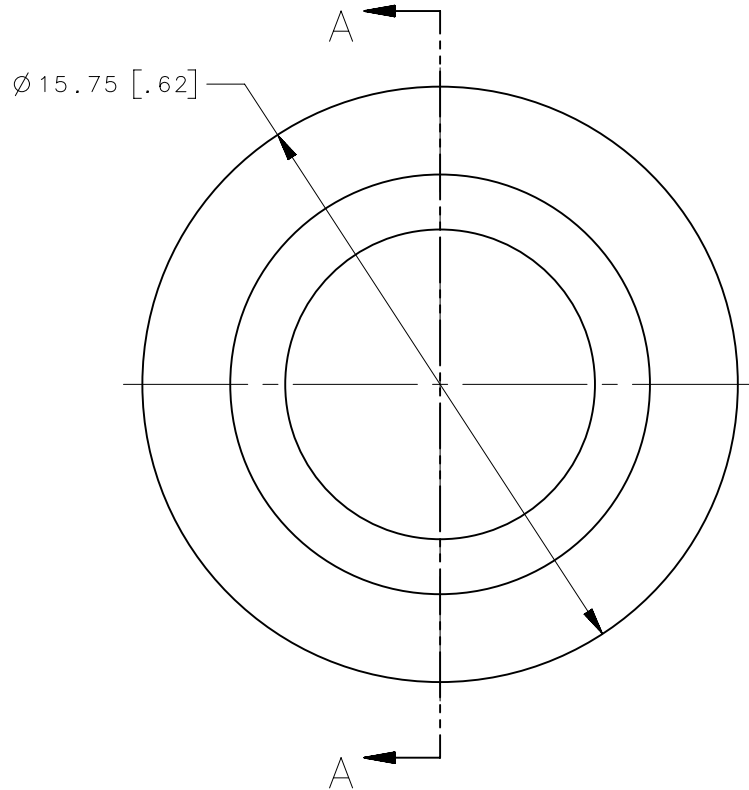
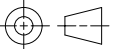



REVISION HISTORY			
REV	DATE	BY	DESCRIPTION
B	24MAY2012	DMS/YGC	PRN: P2012-0679



SCALE 2:1

SECTION A-A

D4-GP6	HALF GROMMET	HD POLYTHENE	N/A	NATURAL
PART NUMBER	TYPE OF COMPONENT	MATERIAL	HEAT TREAT	COLOR
	THIRD ANGLE PROJECTION 	 CONNECT • CREATE • INNOVATE		
	MILLIMETERS [IN]			
SURFACE AREA	TOLERANCES UNLESS OTHERWISE NOTED	DESCRIPTION HALF GROMMET		
VOLUME	ALL DIMENSIONS WITHOUT TOLERANCES ARE FOR REFERENCE ONLY.	SIZE A4	SYSTEM NX	DWG NO. J-D4-GP6
PROPRIETARY ITEM EXCEPT FOR USES EXPRESSLY GRANTED IN WRITING, INFORMATION DISCLOSED HEREON IS CONFIDENTIAL AND ALL RIGHTS, PATENT AND OTHERWISE, ARE RESERVED BY SOUTHCO, INC.	PER ASME Y14.5M-1994	DRAWN BY MJW	DATE 30JUL2007	SCALE 5:1
			SHEET	1 OF 1