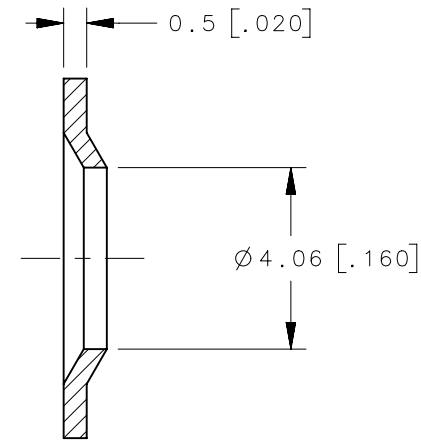
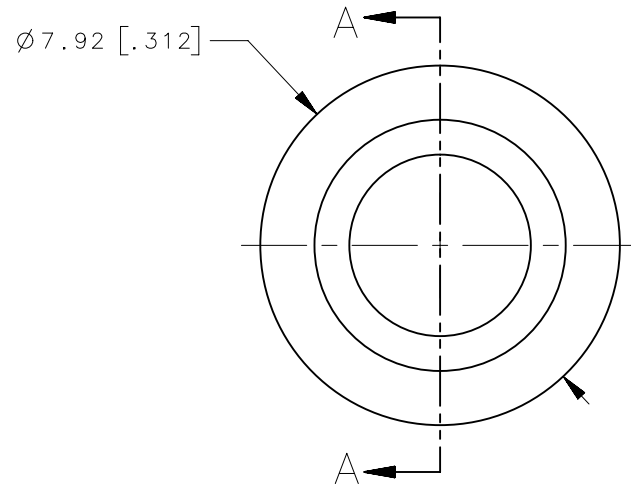


REVISION HISTORY			
REV	DATE	BY	DESCRIPTION
D	20JUL2015	DJS/CMS	PRN: P2015-1400

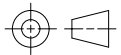



SCALE 2:1



SECTION A-A

D4-GP3B	POLYPROPYLENE	BLACK
D4-GP3	HD POLYTHENE	NATURAL
PART NUMBER	MATERIAL	COLOR

	THIRD ANGLE PROJECTION 	 CONNECT • CREATE • INNOVATE		
	MILLIMETERS [IN]			
	TOLERANCES UNLESS OTHERWISE NOTED	DESCRIPTION HALF GROMMET		
	ALL DIMENSIONS WITHOUT TOLERANCES ARE FOR REFERENCE ONLY.	SIZE A4	SYSTEM NX	DWG NO. J-D4-GP3
PROPRIETARY ITEM <small>EXCEPT FOR USES EXPRESSLY GRANTED IN WRITING, INFORMATION DISCLOSED HEREON IS CONFIDENTIAL AND ALL RIGHTS, PATENT AND OTHERWISE, ARE RESERVED BY SOUTHCO, INC.</small>	PER ASME Y14.5M-1994	DRAWN BY MJW	DATE 19OCT2006	SCALE 6:1
				SHEET 1 OF 1