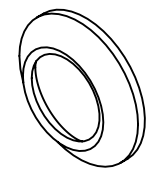
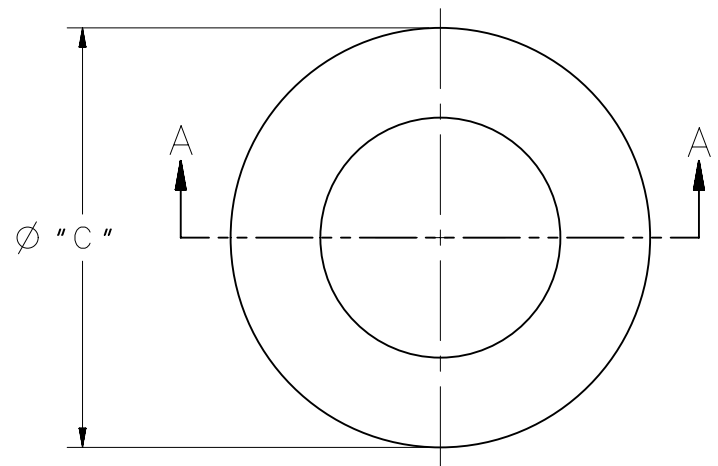


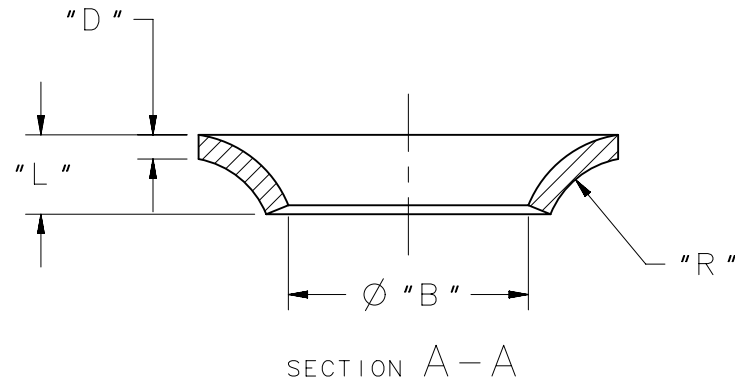
REVISION HISTORY			
REV	DATE	BY	DESCRIPTION
D	21SEP2017	CMS/JW	PRN: P2017-2346



SCALE 2:1
PART NUMBER D4-GH7NA SHOWN



DFCI / OLD DZUS / SOUTHCO PART NUMBER CROSS REFERENCE				
DFCI PART NUMBER	DZUS PART NUMBER	SOUTHCO PART NUMBER	MATERIAL	FINISH
127H-3	GH3	D4-GH3NA	SEE NOTE 5	NATURAL
127H-35	GH35	D4-GH35NA	SEE NOTE 5	NATURAL
127H-35-SS-PAS	GH35SSPS	D4-GH35SSPSNA	SEE NOTE 6	PASSIVATE PER AMS 2700E
127H-4	GH4	D4-GH4NA	SEE NOTE 5	NATURAL
127H-4-SS	GH4SS	D4-GH4SSNA	SEE NOTE 6	NATURAL
127H-4SS-PAS	GH4SSPS	D4-GH4SSPSNA	SEE NOTE 6	PASSIVATE PER AMS 2700E
127H-5	GH5	D4-GH5NA	SEE NOTE 5	NATURAL
127H-5-SS-PAS	GH5SSPS	D4-GH5SSPSNA	SEE NOTE 6	PASSIVATE PER AMS 2700E
127H-6	GH6	D4-GH6NA	SEE NOTE 5	NATURAL
127H-7	GH7	D4-GH7NA	SEE NOTE 5	NATURAL
		D4-GH35CBCNA	SEE NOTE 5	CADMIUM ELECTROPLATED, AMS-QQ-P-416, TYPE 1, CLASS 2



DIMENSIONS					
SOUTHCO PART NUMBER	"C"	"B"	"D"	"R"	"L"
D4-GH3NA	0.312	0.188 +.001/-.003	0.015 +.001/-.003	0.062	0.076
D4-GH35NA	0.375	0.218 +.005/-.000	0.025 +.002/-.005	0.078	0.078
D4-GH35SSPSNA	0.375	0.218 +.005/-.000	0.025 +.002/-.005	0.078	0.078
D4-GH4NA	0.438	0.250 +.005/-.000	0.025 +.002/-.005	0.093	0.086
D4-GH4SSNA	0.438	0.250 +.005/-.000	0.025 +.002/-.005	0.093	0.086
D4-GH4SSPSNA	0.438	0.250 +.005/-.000	0.025 +.002/-.005	0.093	0.086
D4-GH5NA	0.562	0.311 +.005/-.000	0.031 +.002/-.005	0.156	0.110
D4-GH5SSPSNA	0.562	0.311 +.005/-.000	0.031 +.002/-.005	0.156	0.110
D4-GH6NA	0.625	0.375 +.005/-.000	0.031 +.002/-.005	0.156	0.112
D4-GH7NA	0.750	0.438 +.005/-.000	0.040	0.218	0.140

NOTES:

1. REMOVE ALL BURRS AND BREAK SHARP CORNERS.
2. ALL CORNERS AND FILLETS R.005 MAX.
3. PART MADE OF STAINLESS STEEL MUST BE TUMBLED TO REMOVE BURRS AND SHARP EDGES.
4. THE CONCENTRICITY (F.I.M.) = .010
5. 3003-H14 ALUMINUM PER ASTM B209-14.
6. 302 STAINLESS STEEL PER AMS5515.

THIRD ANGLE PROJECTION		 CONNECT • CREATE • INNOVATE	
TOLERANCES UNLESS OTHERWISE NOTED X° ±1/2° X/X ±1/64 .XX ±.010 .XXX ±.005		DESCRIPTION LINE HALF GROMMET	
PROPRIETARY ITEM <small>EXCEPT FOR USES EXPRESSLY GRANTED IN WRITING, INFORMATION DISCLOSED HEREON IS CONFIDENTIAL AND ALL RIGHTS, PATENT AND OTHERWISE, ARE RESERVED BY SOUTHCO, INC.</small>		SIZE B	SYSTEM NX
PER ASME Y14.5M-1994		DWG NO. J-D4-GHNA	DRAWN BY CMS/NJF
		DATE 06MAY2015	SCALE 5:1
		SHEET 1 OF 1	