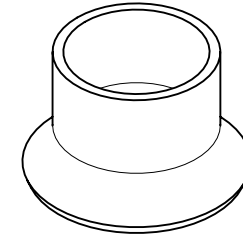
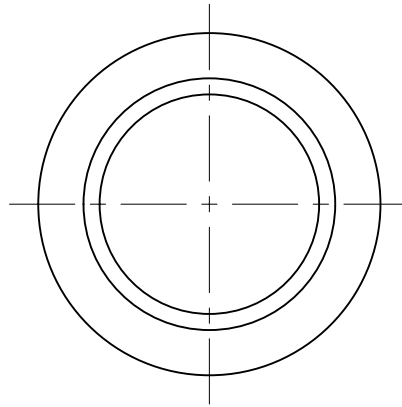
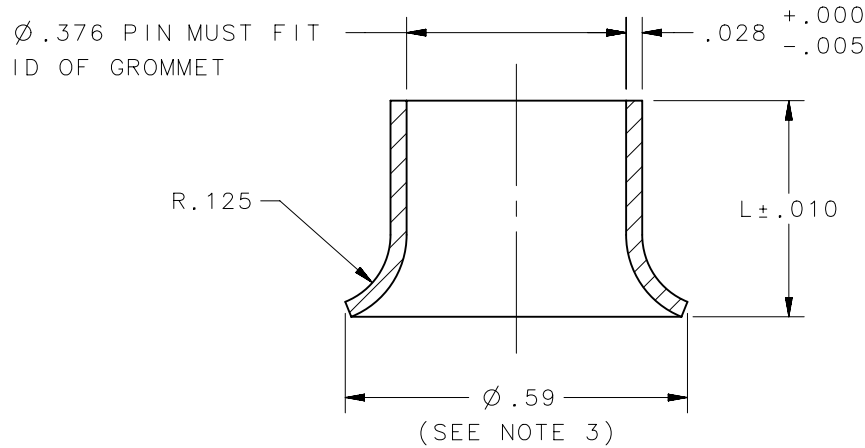


REVISION HISTORY			
REV	DATE	BY	DESCRIPTION
A	21MAY2015	CMS/NJF	INITIAL RELEASE



SCALE 2:1



NOTES:

1. MATERIAL: 3003-H14 ALUMINUM
2. FINISH: NATURAL

1271-6475	GA6-475	D4-GA6-475NA	.475
1271-6425	GA6-425	D4-GA6-425NA	.425
1271-6375	GA6-375	D4-GA6-375NA	.375
1271-6350	GA6-350	D4-GA6-350NA	.350
DFCI PART NO.	DZUS PART NO.	SOUTHCO PART NO.	DIM. L

CAGE CODE 72794	THIRD ANGLE PROJECTION	 CONNECT • CREATE • INNOVATE	
	INCHES [MM]		
	TOLERANCES UNLESS OTHERWISE NOTED	DESCRIPTION GROMMET	
	ALL DIMENSIONS WITHOUT TOLERANCES ARE FOR REFERENCE ONLY.	SIZE A	SYSTEM NX
PROPRIETARY ITEM EXCEPT FOR USES EXPRESSLY GRANTED IN WRITING, INFORMATION DISCLOSED HEREON IS CONFIDENTIAL AND ALL RIGHTS, PATENT AND OTHERWISE, ARE RESERVED BY SOUTHCO, INC.	PER ASME Y14.5M-1994	DWG NO. J-D4-GA6NA	
		DRAWN BY CMS/NJF	DATE 21MAY2015
		SCALE 3:1	SHEET 1 OF 1