

NOTES :

A. MATERIAL AND FINISH:

SHANK AND SPINDLE- TYPE 17-4 PH STAINLESS STEEL PER AMS 5643 OR EQUIVALENT, PASSIVATED PER ASTM A967  
 HANDLE- 303 STAINLESS STEEL PER AMS 5640.  
 BUTTON- TYPE 303 STAINLESS STEEL PER ASTM A581/582, PASSIVATED PER ASTM A967 OR 2024 ALUMINUM ALLOY PER AMS-QQ-A-225/6, BLACK ANODIZE PER AMS-A-8625.  
 BALLS- 440C STAINLESS STEEL PER AMS-QQ-S-763, PASSIVATED PER ASTM A967.  
 WASHER- TYPE 300 SERIES STAINLESS STEEL PER ASTM A240, PASSIVATED PER ASTM A967.  
 SPRING- TYPE 302 STAINLESS STEEL PER ASTM A313, PASSIVATED PER ASTM A967.

B. SOUTHCO IS A QSLM CERTIFIED MANUFACTURER OF QUICK RELEASE PINS. THE LOCKWELL QUICK RELEASE PINS ON THIS DRAWING CAN BE MANUFACTURED TO THE SPECIFICATIONS OF NAS1333 THRU NAS1346. PARTS ORDERED TO MS AND NAS SPECIFICATIONS ARE CERTIFIED TO NAS1332 AND NASM23460.

C. WHEN MANUFACTURED TO MS OR NAS SPECIFICATIONS, MS OR NAS IS PUNCHED IN THIS LOCATION.


**southco**

PROPRIETARY ITEM - EXCEPT FOR USES EXPRESSLY GRANTED IN WRITING INFORMATION DISCLOSED HEREON IS CONFIDENTIAL AND ALL RIGHTS PATENT AND OTHERWISE ARE RESERVED BY SOUTHCO, INC.

ASSEMBLY, LOCKWELL PIN, "Y" HANDLE  
 SINGLE ACTING

DATE	DRAWN	CHKD	SCALE	DRAWING NUMBER
28JAN2009	MJS	JF	1.25:1	J-LG-CY

REV	DATE	DRAWN/CHKD	DESCRIPTION
A	28JAN2009	MJS/JF	INITIAL RELEASE
B	25JUL2011	MJS/JS	PRN: P2011-0951
C	24APR2018	CMS/MWD	PRN: P2018-1012

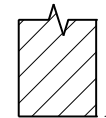
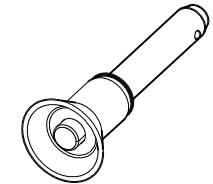
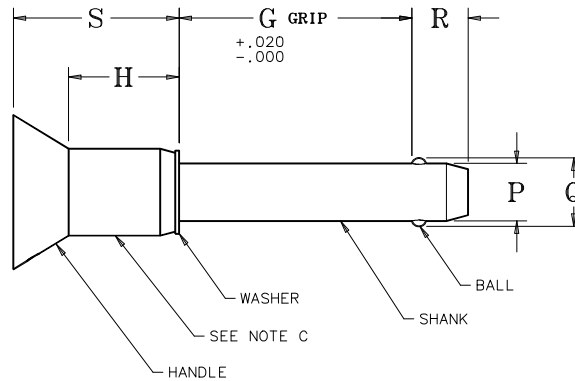
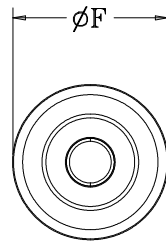
**INCHES**  
 ALL DIMENSIONS WITHOUT TOLERANCES ARE FOR REFERENCE ONLY.  
  
 CAGE CODE SV287

PART NUMBER:  
**LG-D C Y G F 750**

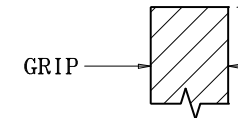
SHANK DIA (SEE TABLE)

GRIP IN THOUSANDTH INCH INCREMENTS  
 EX: LG-4CY1000L6 = 0.25 in. DIAMETER,  
 1 in. GRIP LENGTH, 2-BALL, 6 in. LANYARD

LONGER NON-STD "R" DIM IN THOUSANDTH INCH INCREMENTS. (OMIT FOR STD. "R" DIM)  
 "F" = 4 BALL  
 (OMIT FOR STANDARD LENGTH 2 BALL)



INSTALL HOLE  $\phi$



GRIP

INSTALL HOLE

PIN SIZE	D	$\phi P$ +.0000 -.0015	Q ±.005	R +.000 -.030	$\phi F$	S MAX.	H MIN.	MIN. TENSION LOAD CAPABILITIES		CALCULATED DOUBLE SHEAR STRENGTH	INSTALL HOLE $\phi$	
								2-BALL	4-BALL		MIN.	MAX.
3/16	3	.1885	.220	.260	.75	.890	.50	200 lbf	260 lbf	5150 lbf	.190	.194
1/4	4	.2485	.289	.290	.75	.950	.50	230 lbf	290 lbf	9200 lbf	.250	.254
5/16	5	.3110	.375	.330	.75	.990	.62	510 lbf	630 lbf	14400 lbf	.3125	.3165
3/8	6	.3735	.440	.365	1.00	1.090	.69	575 lbf	740 lbf	20600 lbf	.375	.379
7/16	7	.4360	.509	.380	1.00	1.220	.76	710 lbf	920 lbf	28000 lbf	.4375	.4425
1/2	8	.4985	.594	.460	1.00	1.250	.84	1160 lbf	1500 lbf	36800 lbf	.500	.505
9/16	9	.5610	.666	.510	1.00	1.470	.86	1420 lbf	1840 lbf	46000 lbf	.5625	.5675
5/8	10	.6235	.750	.580	1.25	1.560	1.00	2070 lbf	2690 lbf	57500 lbf	.625	.630
3/4	12	.7485	.887	.670	1.25	1.740	1.05	2950 lbf	3835 lbf	82500 lbf	.750	.757
7/8	14	.8735	1.046	.760	1.50	2.045	1.24	3900 lbf	5070 lbf	112500 lbf	.875	.882
1	16	.9985	1.219	.890	1.50	2.200	1.37	5480 lbf	7120 lbf	147000 lbf	1.000	1.010