

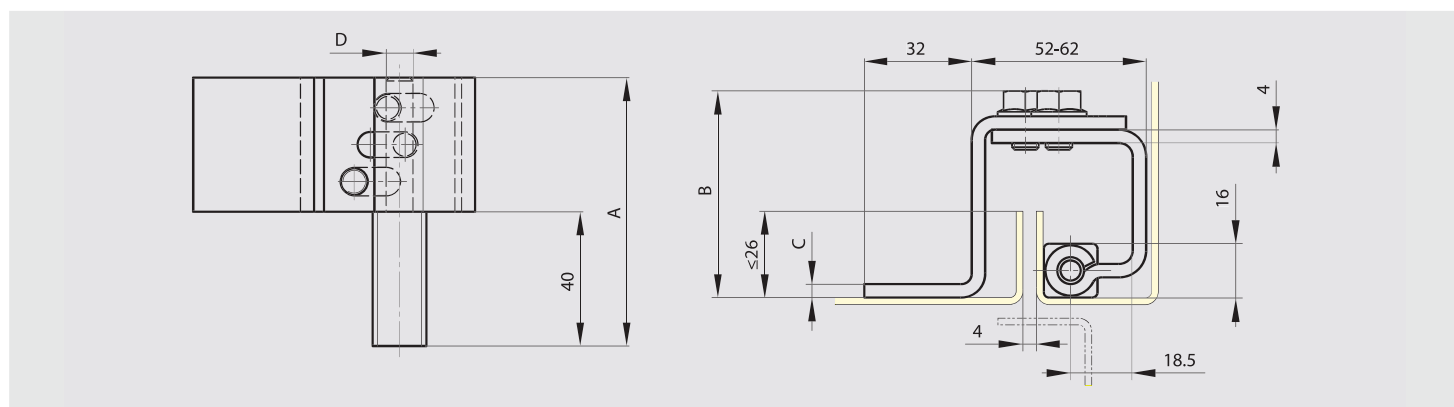


Concealed heavy duty hinge for flush doors - 90° opening

Concealed hinge for LH or RH application. The 2 main hinge parts have a central guide to prevent door from sagging during adjustment.



Part number	Material	Finish	A	B	C	D	Weight (g)
85-7-2332	304 stainless steel	raw	80	61	4	8	412



Concealed springloaded pin hinges A

Stainless steel spring.

304 stainless steel pin for hinges in stainless steel.

Circlip in 1.4122 stainless steel.



Part number	Material	Finish	A	B	C	D	K	Note	Weight (g)
12-1-3858	304 stainless steel	raw	82	18.2	2.8	6	12	type 2	46
12-1-3859	304 stainless steel	raw	82	18.2	2.8	6	12	type 1	46

