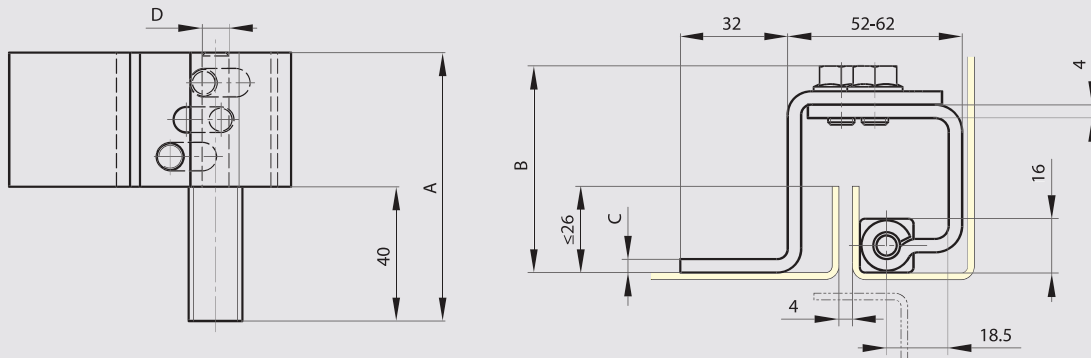


### Concealed heavy duty hinge for flush doors - 90° opening

Concealed hinge for LH or RH application. The 2 main hinge parts have a central guide to prevent door from sagging during adjustment.



Part number	Material	Finish	A	B	C	D	Weight (g)
85-7-1331	steel	raw / zinc plated	80	61	4	8	412
85-7-2332	304 stainless steel	raw	80	61	4	8	412



### Concealed weld-on springloaded pin hinge



Part number	Material	Finish	A	B	K	Weight (g)
85-7-1030	steel	raw	53	15	15	70

