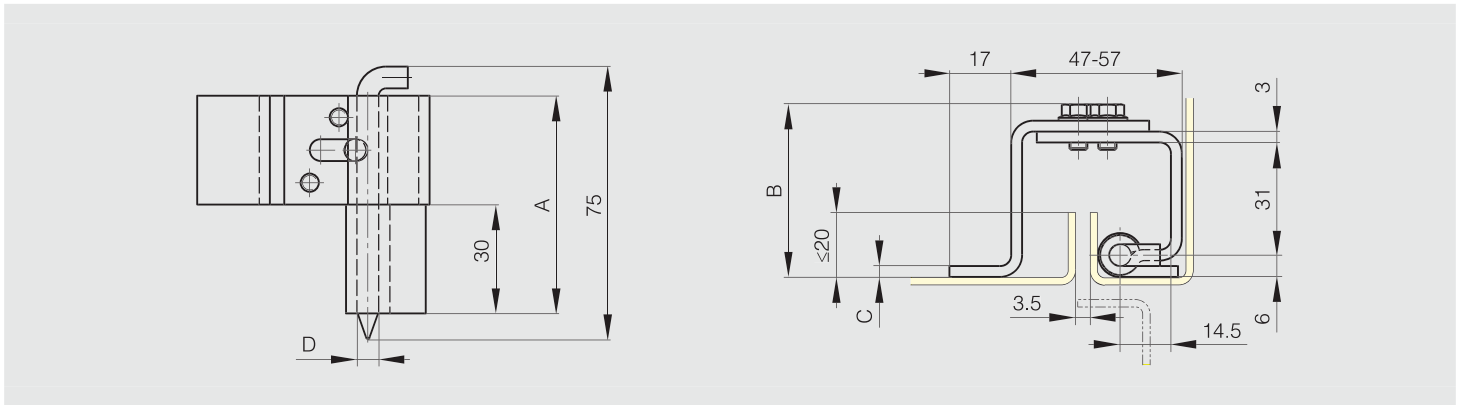


Concealed heavy duty hinge for flush doors - 90° opening

Concealed hinge for LH or RH application. The 2 main hinge parts have a central guide to prevent door from sagging during adjustment.



Part number	Material	Finish	A	B	C	D	Weight (g)
85-7-1321	steel	raw / zinc plated	60	48	3	6	189
85-7-2331	304 stainless steel	raw	60	48	3	6	189



Concealed heavy duty hinge for flush doors - 90° opening

Concealed hinge for LH or RH application. The 2 main hinge parts have a central guide to prevent door from sagging during adjustment.



Part number	Material	Finish	A	B	C	D	Weight (g)
85-7-1333	steel	raw / zinc plated	80	62	4	8	430
85-7-2334	304 stainless steel	raw	80	62	4	8	427

