

### Concealed hinge with removable pin - 180° opening

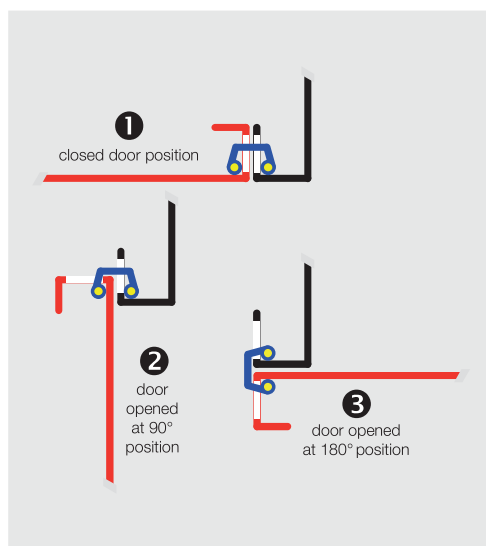
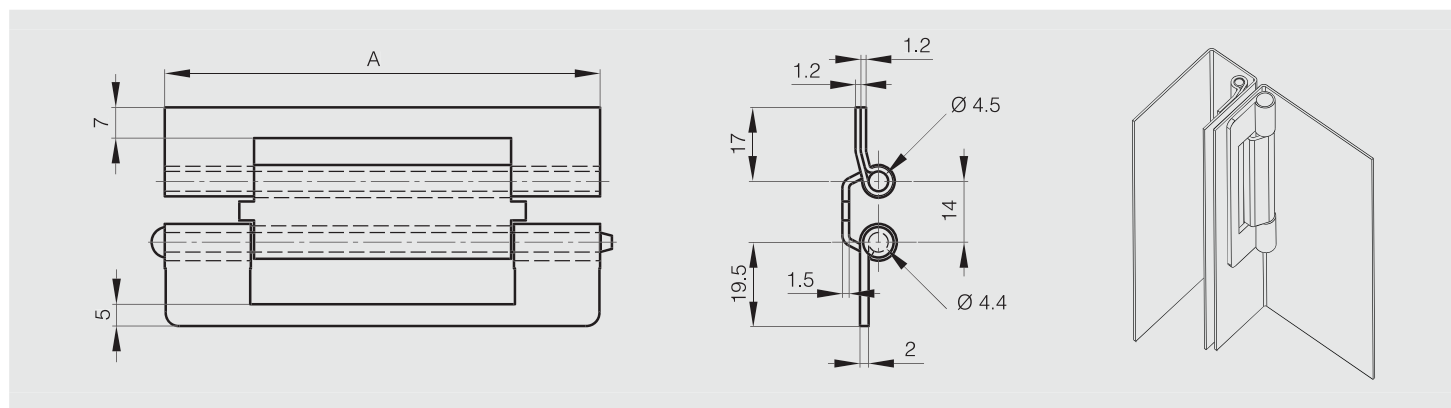
Patented concealed hinge for metallic enclosures with a 180° opening.

Removable pin makes disassembly of doors easy.

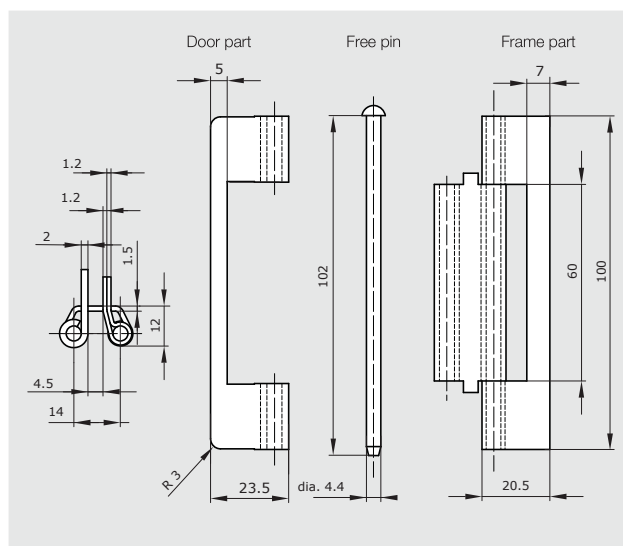
Door thickness max: 1 mm.



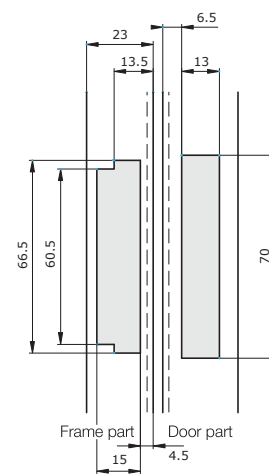
| Part number | Material | Finish | A   | Weight (g) |
|-------------|----------|--------|-----|------------|
| 73-1-3504   | steel    | raw    | 100 | 123        |



Operating of the 180° concealed hinge



Dimensions of the 180° concealed hinge



Cut-out to be made for hinge fitting