

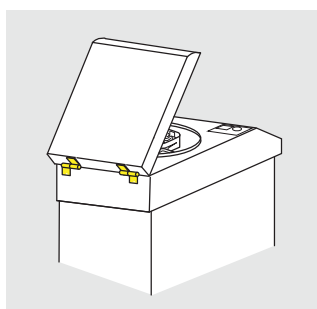
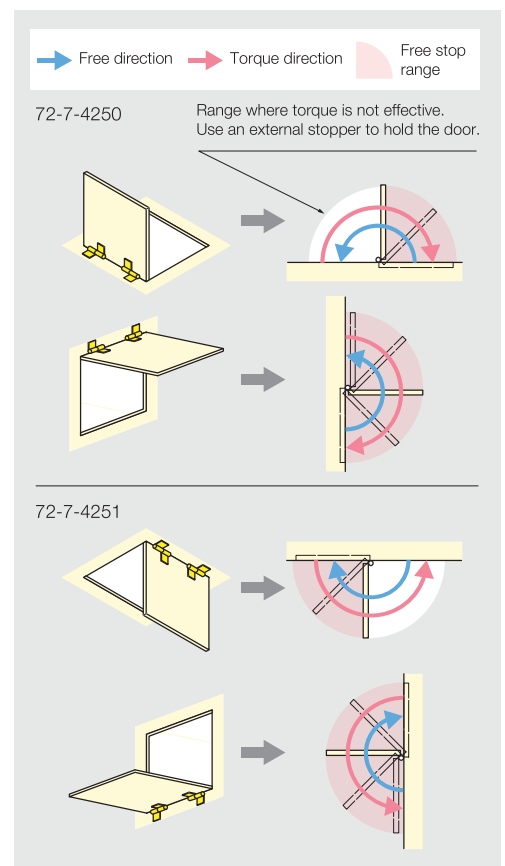
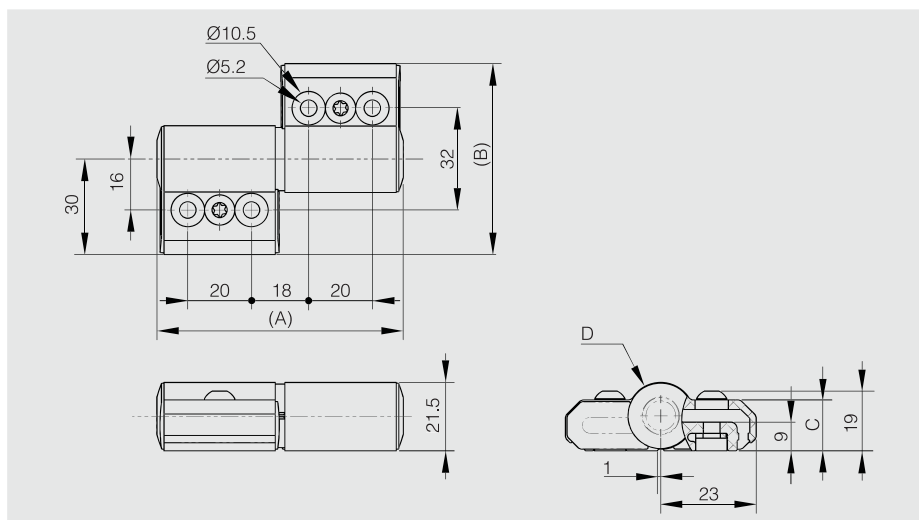
### One way torque hinge - constant torque 9 N.m / set



- Aluminium torque hinge.
- Friction in one direction only: allows for frictionless handling of the door in the opposite direction.
- Tested over 30,000 cycles.
- Torque is constant in torque direction.
- Sold in pairs (left / right).
- Ideal to prevent shock to the door and / or safety.
- Torque moment (per set): 9 N.m.
- Initial torque may vary from -20% to +40%.
- Not suited for vibration environment.
- Torque will be affected by temperature.
- Do not lubricate.
- For indoor use only.
- Body in aluminium, shaft in stainless steel, sleeve and cover in polyacetal (POM).



Part number	Material	Finish	A	B	C	D	Torque	Note	Weight (g)
72-7-4250	aluminium	anodised	77.5	60	16	21	9 N.m / set	torque in the clockwise direction sold in pairs	271
72-7-4251	aluminium	anodised	77.5	60	16	21	9 N.m / set	torque in the anti clockwise direction sold in pairs	270



Installation