



Hasp

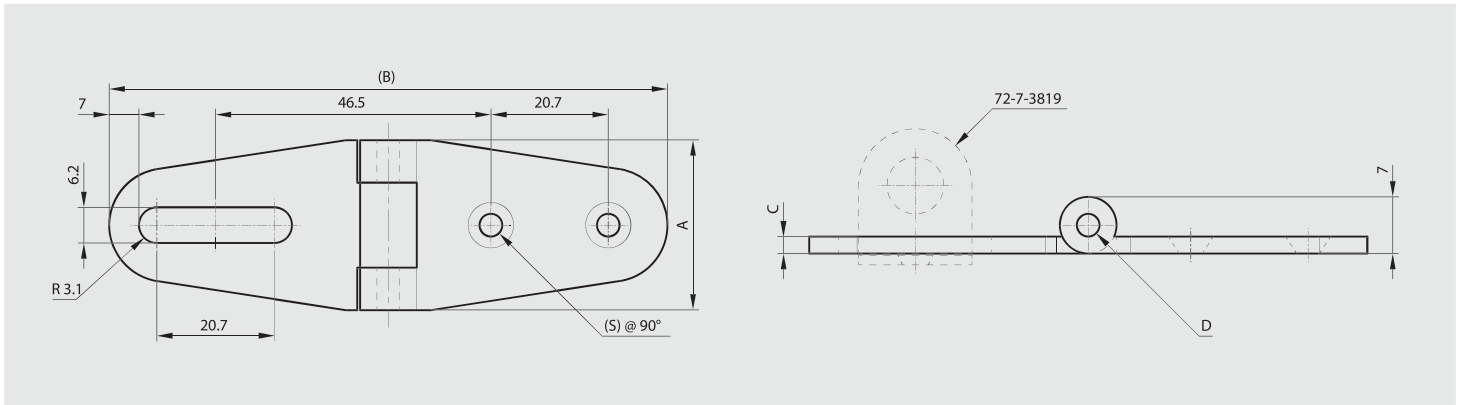
Chrome plated brass hasp

304 stainless steel pin.

Same shape available for hinge 72-7-3725.



| Part number | Material | Finish | A | B | C | D | S | Weight (g) |
|-------------|----------|---------------|----|----|---|---|-----|------------|
| 72-7-3726 | brass | chrome plated | 30 | 98 | 3 | 4 | 4.3 | 55 |



Catch plate for part number 72-7-3726



| Part number | Material | Finish | A | B | C | S | Weight (g) |
|-------------|----------|---------------|----|----|---|---|------------|
| 72-7-3819 | brass | chrome plated | 35 | 20 | 3 | 4 | 16 |

