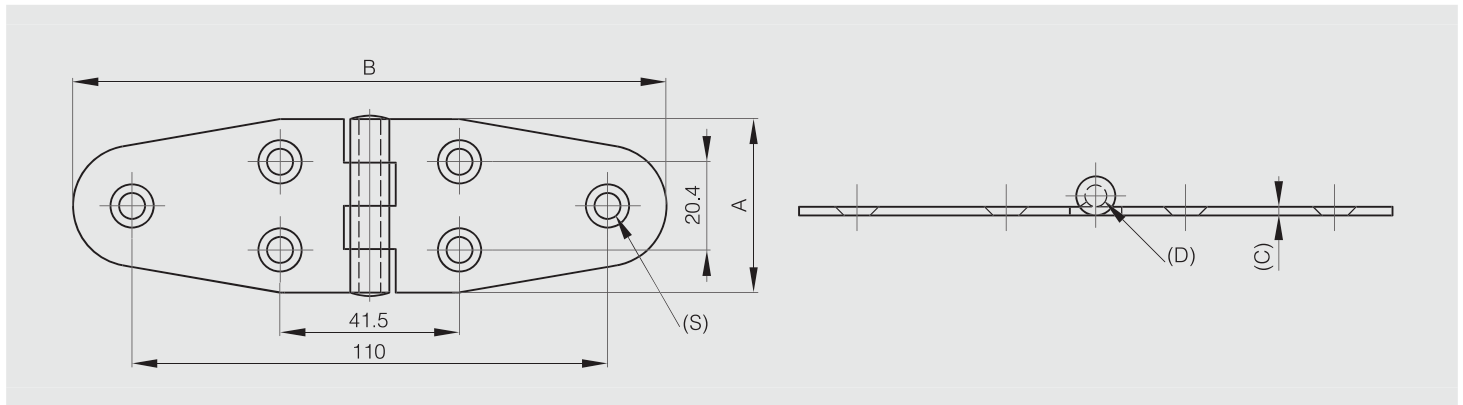


Hinge for marine applications - 40.1 x 137.3 mm

Riveted pin.



Part number	Material	Finish	A	B	C	D	S	Weight (g)
52-1-3953	316 stainless steel	polished	40.1	137.3	2	5	6	80



Brass hinge - 30 x 98.5 mm

304 stainless steel pin.

Same shape available for hasp 72-7-3726.



Part number	Material	Finish	A	B	C	D	S	Weight (g)
72-7-3725	brass	chrome plated	30	98.5	3	4	4	57

