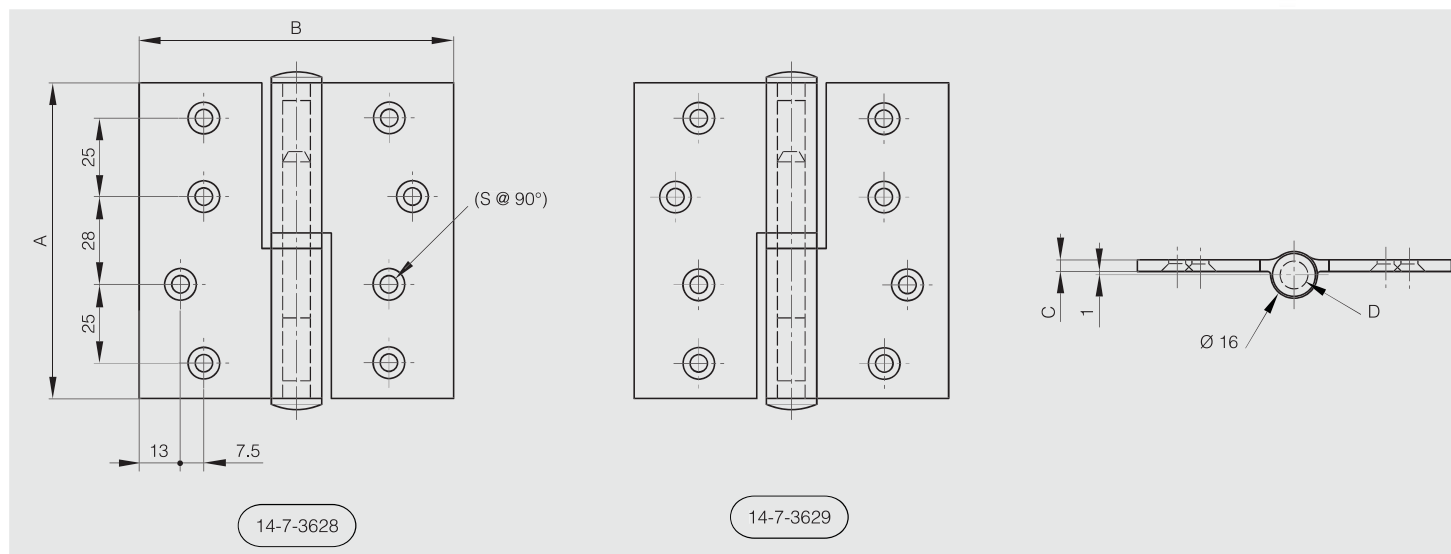


Aluminium lift-off hinges 100 x 100 mm

Zinc plated steel pin.
Nylon bushing.



Part number	Material	Finish	A	B	C	D	S	Note	Weight (g)
14-7-3628	aluminium	anodised silver	100	100	4	9	6	type 1	106
14-7-3629	aluminium	anodised silver	100	100	4	9	6	type 2	106



Brass hinge - 4 holes

304 stainless steel pin.



Part number	Material	Finish	A	B	C	D	E	F	G	S	Note	Weight (g)
72-7-3659	brass	raw	30	20	2	3	2.5	12.5	17	2.7	drilled	12

