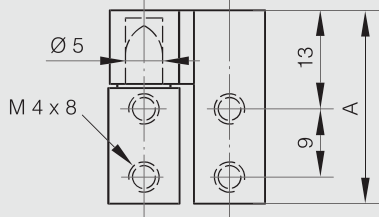


Zinc die-cast lift-off hinges 25.5 mm

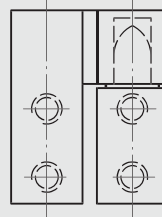
Nylon washer.



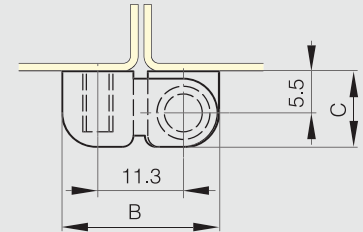
Part number	Material	Finish	A	B	C	Note	Weight (g)
72-1-4206	zinc die-cast	black	25.5	20.5	10	type 2	30
72-1-4207	zinc die-cast	black	25.5	20.5	10	type 1	30



72-1-4207



72-1-4206

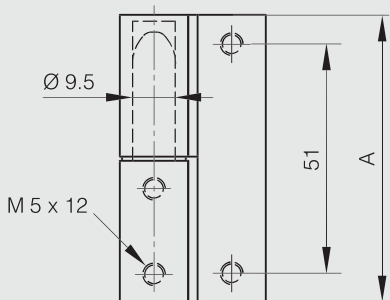


Zinc die-cast lift-off hinges 64 x 33 mm

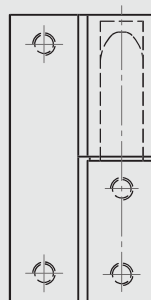
Nylon washer.



Part number	Material	Finish	A	B	C	Note	Weight (g)
72-1-9000	zinc die-cast	black	64	33	17.5	type 2	150
72-1-9001	zinc die-cast	black	64	33	17.5	type 1	144



72-1-9001



72-1-9000

