



Stainless steel hinges with concealed spring 0.35 N.m



Opening spring force:

M(0°): 0.35 N.m / M(90°): 0.24 N.m / M(180°): 0.12 N.m

Closing spring force:

M(0°): 0.12 N.m / M(90°): 0.24 N.m / M(180°): 0.35 N.m

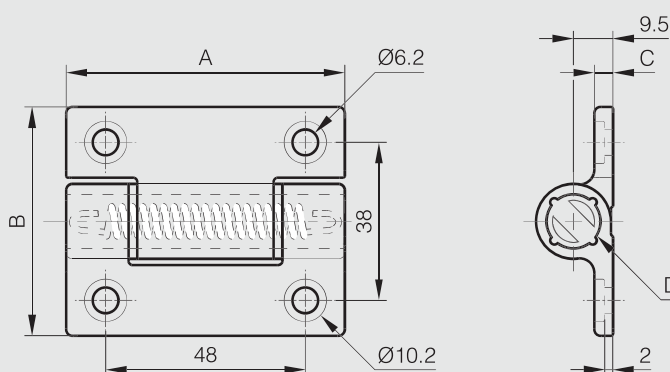
Spring in Bezinal steel.

Washers in POM.

316 stainless steel version : please ask us.



	Part number	Material	Finish	A	B	C	D	Note	Weight (g)
NEW	72-1-4409	304 stainless steel	deburred	67	55	4.5	13	opening spring/ delivered flat	170
NEW	72-1-4410	304 stainless steel	deburred	67	55	4.5	13	closing spring	170



Stainless steel hinges with concealed spring 0.7 N.m



Opening spring force:

M(0°): 0.7 N.m / M(90°): 0.45 N.m / M(180°): 0.23 N.m

Closing spring force:

M(0°): 0.23 N.m / M(90°): 0.45 N.m / M(180°): 0.7 N.m

Spring in Bezinal steel.

Washers in POM.

316 stainless steel version : please ask us.



	Part number	Material	Finish	A	B	C	D	Note	Weight (g)
NEW	72-1-4411	304 stainless steel	deburred	67	55	4.5	13	opening spring/ delivered flat	170
NEW	72-1-4412	304 stainless steel	deburred	67	55	4.5	13	closing spring	170

