

Aluminium profile hinges - diameter 13

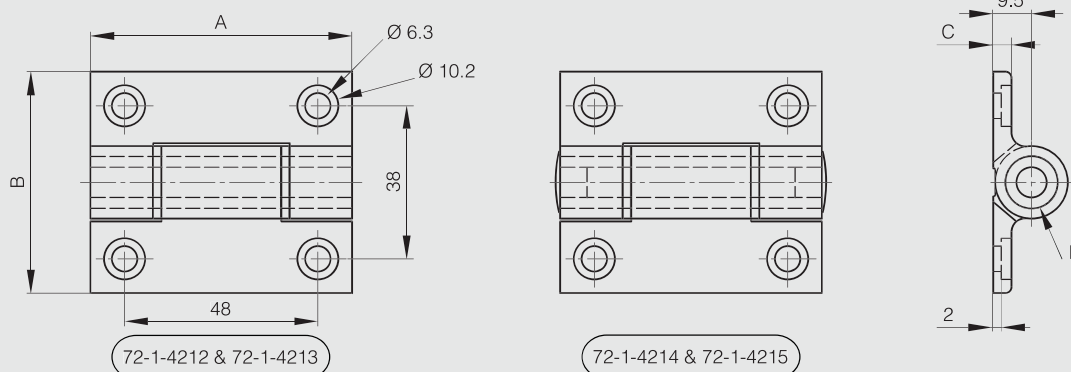
This hinge has the same footprint and design as our friction, detent and spring hinges.

All are fully interchangeable.

Plastic pin with or without end caps.



Part number	Material	Finish	A	B	C	D	Note	Weight (g)
72-1-4212	6060 T5 alu	clear anodised	65	55	4.5	13	without cap	130
72-1-4213	6060 T5 alu	black anodised	65	55	4.5	13	without cap	130
72-1-4214	6060 T5 alu	clear anodised	65	55	4.5	13	with cap	130
72-1-4215	6060 T5 alu	black anodised	65	55	4.5	13	with cap	130



Heavy duty aluminium profile hinges

Free swinging hinge.

It has the same footprint and design as the spring hinge for heavy duty applications (part numbers: 72-1-4231, 72-1-4232, 72-1-4258 and 72-1-4259).

All are fully interchangeable.



Part number	Material	Finish	A	B	C	D	Weight (g)
72-1-4241	6082 T5 alu	clear anodised	100	82.5	5.5	24	149
72-1-4242	6082 T5 alu	black anodised	100	82.5	5.5	24	150

