



Stainless steel range - Hinges

Hinges with lift-assist

Spring-assist torque hinge



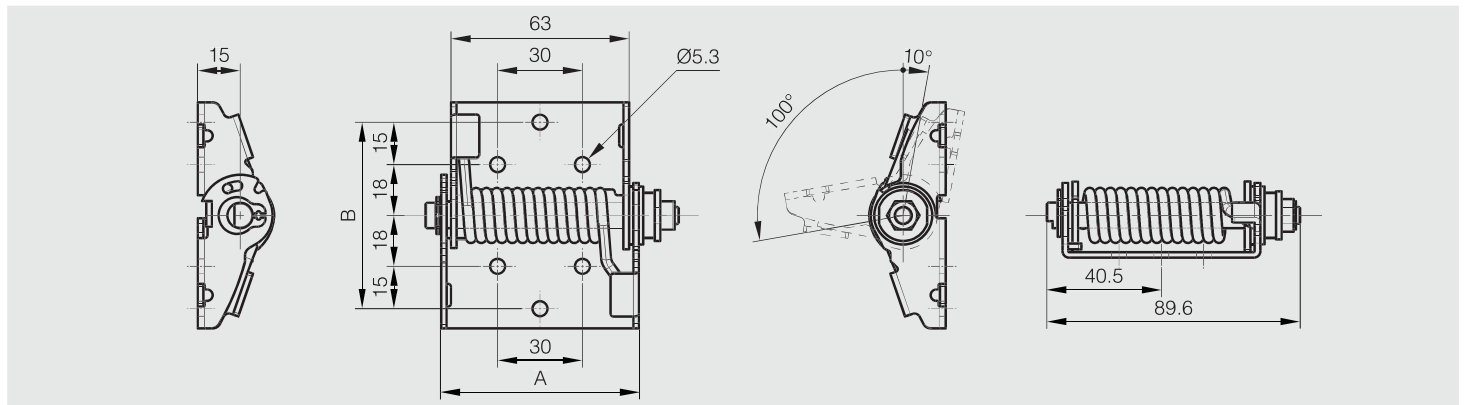
The built-in spring makes lids feel lighter to open (the hinge is for top-opening lids).
 The retaining torque is adjustable with a hex key (0 to 3.5 N.m).
 Cycling resistance: 50,000 cycles.
 Operating temperature: 0°/+40°C.

The hinge is delivered with a pin attached. It keeps the hinge open.
 Please do not detach until the hinge is installed.

Optional cover is sold separately (22-7-3556).

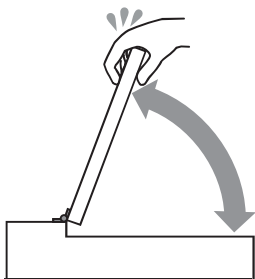


	Part number	Material	Finish	A	B	Spring torque	Weight (g)
NEW	71-7-3910	304 stainless steel	polished	70	66	2.2 - 2.9 N.m	218
NEW	71-7-3911	304 stainless steel	polished	70	66	3.5 - 4.4 N.m	222

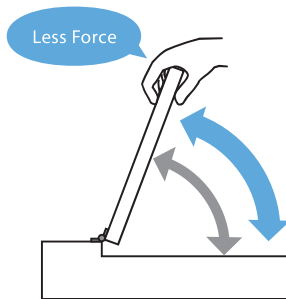


Normal Torque Hinge

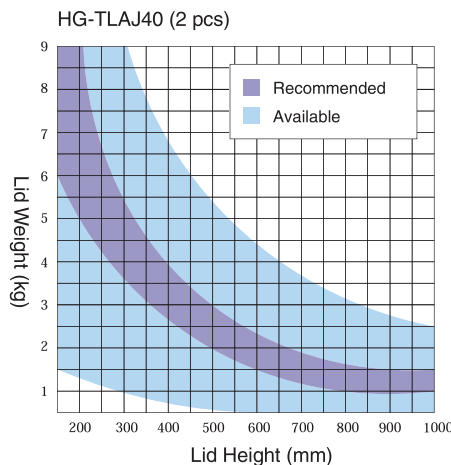
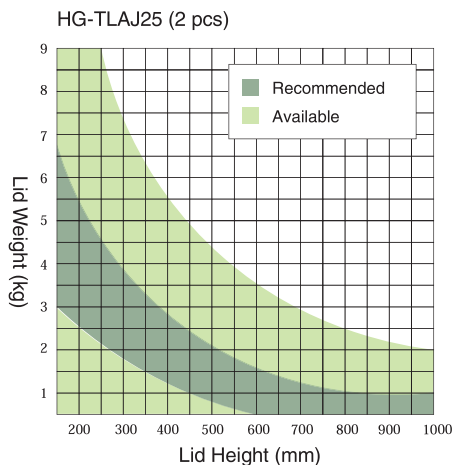
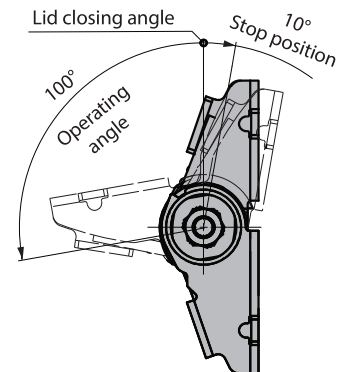
Spring-assist Torque Hinge



Only Retaining Torque



Retaining Torque
+
Spring-assist Force



Available Range

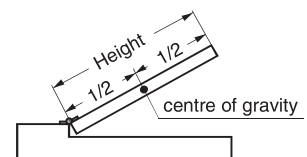
- Free-stop: 0° to 100°

Recommended Range

- Free-stop: 0° to 100°

- Moves very lightly: 1° to 99°

* Spring-assisted lid moment is close to 0 N.m.



Calculation Condition:
 The centre of gravity is at the centre of the lid.