



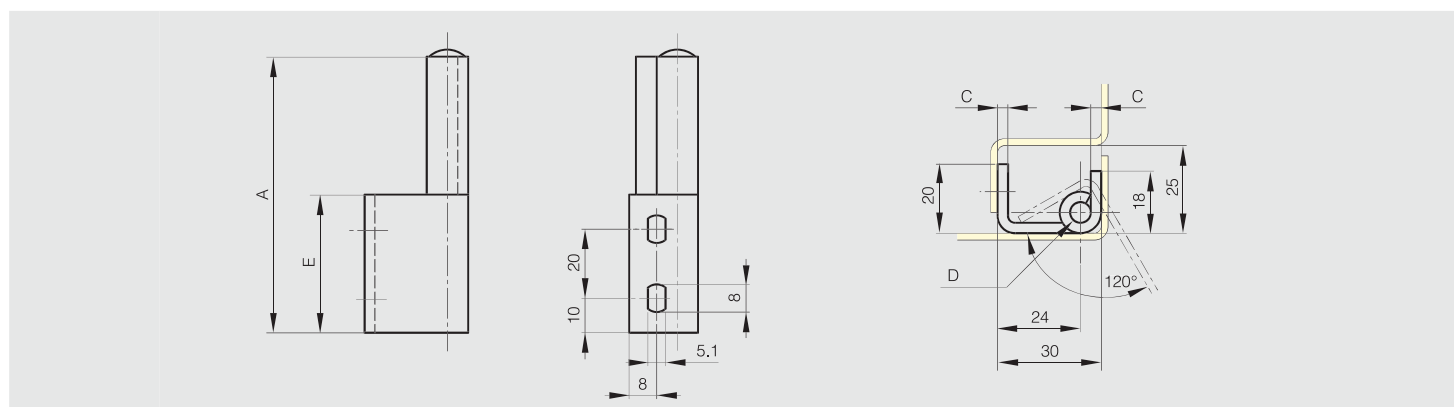
Concealed pin hinges - 120° opening

Non handed fitting.

Removable pin in 304 stainless steel.



Part number	Material	Finish	A	C	D	E	Weight (g)
12-1-3528	304 stainless steel	raw	80	3	6	40	107



Concealed hinges with spring - 95° opening

Concealed hinges with 2 positions:

- Rest position: door remains open with an angle of 10°.

- Opened position: door opens up to 95°.

Closing of door due to spring action and door remains slightly opened.

Applications for parcel box:

- Door automatically opens after code entry.

- Door doesn't remain in opened position.



Part number	Material	Finish	A	B	C	D	Weight (g)
71-1-3867	304 stainless steel	raw	51	75	3	6	200

