

Spring hinges - aluminium profile 3.80 N.m - diameter 18



Opening spring force:

M(0°): 3.80 N.m / M(90°): 3.10 N.m / M(180°): 2.40 N.m

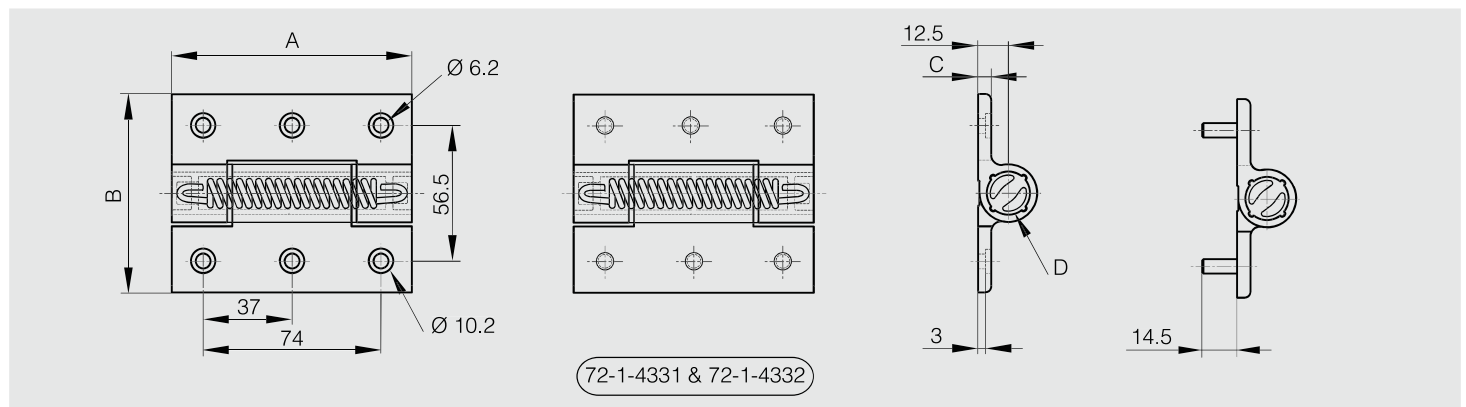
Closing spring force:

M(0°): 2.20 N.m / M(90°): 2.90 N.m / M(180°): 3.50 N.m

Free swinging hinge without spring available (part number: 72-1-4241 in colorless or 72-1-4242 in black).



Part number	Material	Finish	A	B	C	D	Note	Weight (g)
72-1-4231	6082 T5 alu	clear anodised	100	82.5	5.5	18	opening spring	185
72-1-4232	6082 T5 alu	black anodised	100	82.5	5.5	18	opening spring	183
72-1-4258	6082 T5 alu	clear anodised	100	82.5	5.5	18	closing spring	191
72-1-4259	6082 T5 alu	black anodised	100	82.5	5.5	18	closing spring	191
NEW 72-1-4331	6082 T5 alu	clear anodised	100	82.5	5.5	18	closing spring / with M6 studs	188
NEW 72-1-4332	6082 T5 alu	black anodised	100	82.5	5.5	18	closing spring / with M6 studs	188



Spring hinges 50 mm long



Opening spring force:

M(0°): 1.5 N.m / M(90°): 1.1 N.m / M(180°): 0.65 N.m

Closing spring force:

M(0°): 0.25 N.m / M(90°): 0.65 N.m / M(180°): 1.1 N.m

Part number	Material	Finish	A	B	C	D	F	G	S	Note	Weight (g)
71-1-3856	5754 alu	raw	50	50	2	4	9	30	5	Bezinal steel opening spring	22
71-1-3857	5754 alu	raw	50	50	2	4	9	30	5	Bezinal steel closing spring	22

