

Concealed hinges with spring - 95° opening

Concealed hinges with 2 positions:

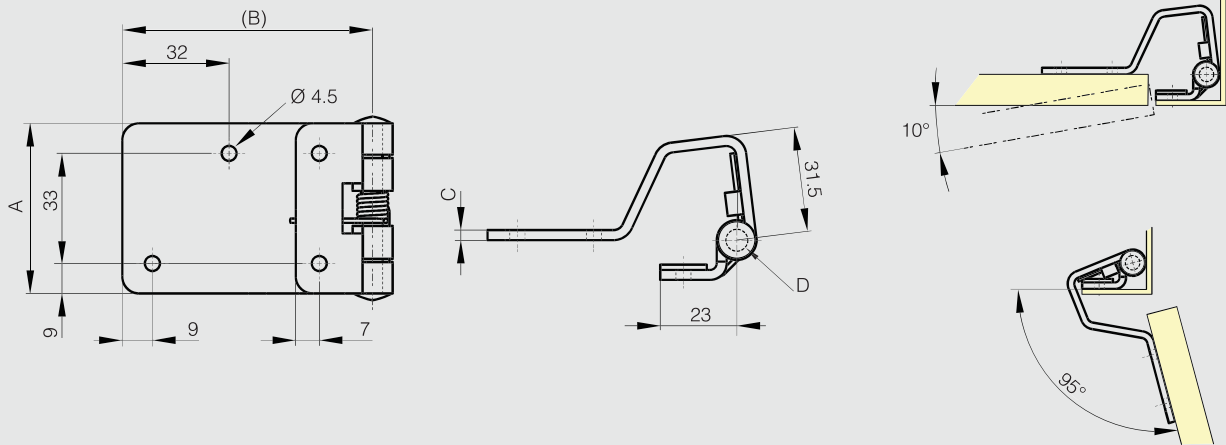
- Rest position: door remains open with an angle of 10°.
 - Opened position: door opens up to 95°.
- Closing of door due to spring action and door remains slightly opened.

Applications for parcel box:

- Door automatically opens after code entry.
- Door doesn't remain in opened position.



Part number	Material	Finish	A	B	C	D	Weight (g)
71-1-3812	steel	zinc plated	51	75	3	6	200
71-1-3867	304 stainless steel	raw	51	75	3	6	200



Concealed hinges without spring - 95° opening



Part number	Material	Finish	A	B	C	D	Weight (g)
60-1-4007	steel	zinc plated	51	75	3	6	210
62-1-4008	304 stainless steel	raw	51	75	3	6	210

