

# Hinges with dual function

## Rolled knuckle spring hinges

### Opening spring hinges 180 mm long

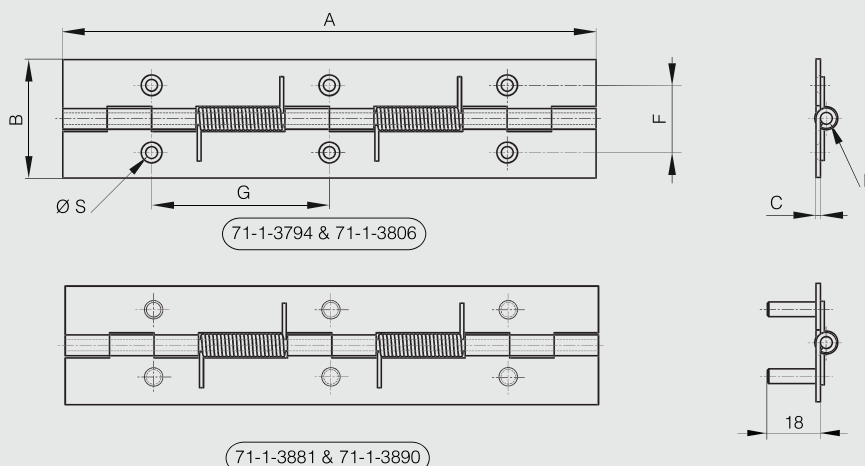
Opening spring force:  
 $M(0^\circ)$ : 1.7 N.m /  $M(90^\circ)$ : 1.1 N.m /  $M(180^\circ)$ : 0.56 N.m



Stainless steel spring.



Part number	Material	Finish	A	B	C	D	F	G	S	Note	Weight (g)
71-1-3800	steel	raw	180	40	1.5	4				undrilled	124
71-1-3806	steel	zinc plated	180	40	1.5	4	22.7	60	4	drilled	125
NS 71-1-3890	steel	zinc plated	180	40	1.5	4	22.7	60	4	with M5 studs	142
71-1-3788	304 stainless steel	raw	180	40	1.5	4				undrilled	124
71-1-3794	304 stainless steel	raw	180	40	1.5	4	22.7	60	4	drilled	124
NS 71-1-3881	304 stainless steel	raw	180	40	1.5	4	22.7	60	4	with M5 studs	142



### Closing spring hinges 180 mm long

Closing spring force:  
 $M(0^\circ)$ : 0.56 N.m /  $M(90^\circ)$ : 1.1 N.m /  $M(180^\circ)$ : 1.7 N.m



Stainless steel spring.



Part number	Material	Finish	A	B	C	D	F	G	S	Note	Weight (g)
71-1-3803	steel	raw	180	40	1.5	4				undrilled	124
71-1-3809	steel	zinc plated	180	40	1.5	4	22.7	60	4	drilled	124
NS 71-1-3891	steel	zinc plated	180	40	1.5	4	22.7	60	4	with M5 studs	142
71-1-3791	304 stainless steel	raw	180	40	1.5	4				undrilled	124
71-1-3797	304 stainless steel	raw	180	40	1.5	4	22.7	60	4	drilled	124
NS 71-1-3889	304 stainless steel	raw	180	40	1.5	4	22.7	60	4	with M5 studs	142

