



Stainless steel range - Hinges

Rolled knuckle spring hinges

Opening spring hinges 120 mm long

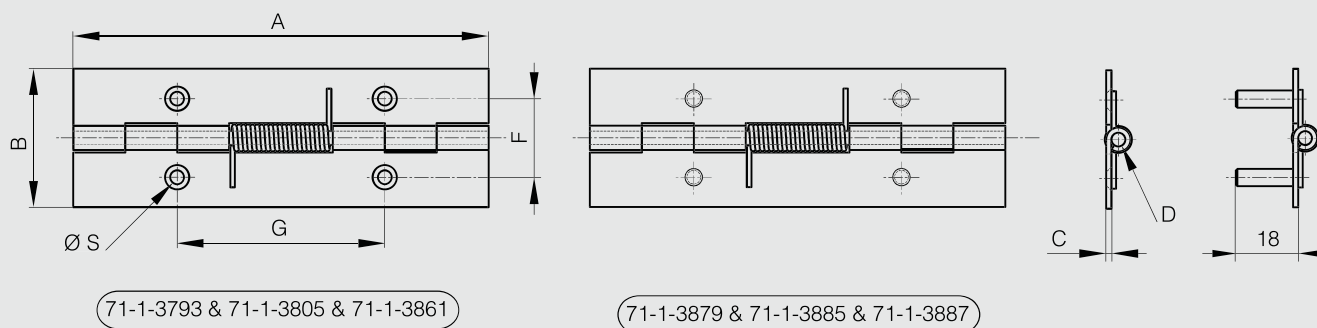


Opening spring force:

M(0°): 0.85 N.m / M(90°): 0.56 N.m / M(180°): 0.28 N.m

Stainless steel spring.

Part number	Material	Finish	A	B	C	D	F	G	S	Note	Weight (g)
71-1-3787	304 stainless steel	raw	120	40	1.5	4				undrilled	83
71-1-3793	304 stainless steel	raw	120	40	1.5	4	22.7	60	4	drilled	83
NEW 71-1-3879	304 stainless steel	raw	120	40	1.5	4	22.7	60	4	with M5 studs	94



Closing spring hinges 120 mm long



Closing spring force:

M(0°): 0.28 N.m / M(90°): 0.56 N.m / M(180°): 0.85 N.m

Stainless steel spring.

Part number	Material	Finish	A	B	C	D	F	G	S	Note	Weight (g)
71-1-3790	304 stainless steel	raw	120	40	1.5	4				undrilled	83
71-1-3796	304 stainless steel	raw	120	40	1.5	4	22.7	60	4	drilled	83
NEW 71-1-3880	304 stainless steel	raw	120	40	1.5	4	22.7	60	4	with M5 studs	94

