

Concealed hinges

Concealed hinges for surface mounted doors or nested doors

Concealed hinge - 110° opening

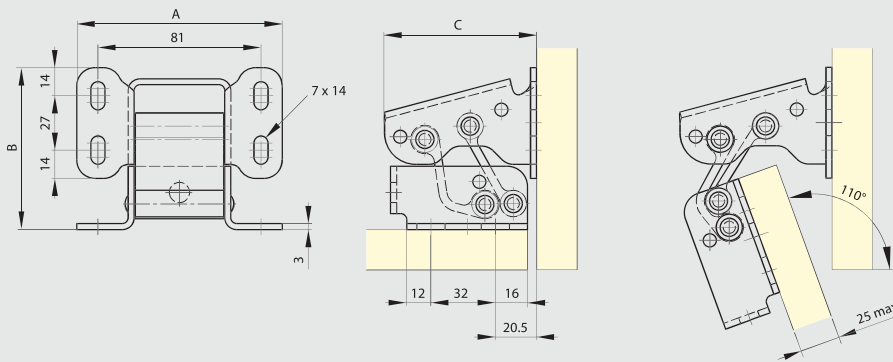
Heavy duty concealed hinge.

Tested to 10,000 cycles using 2 hinges with a door weight of 25 kg measuring 1 m x 1 m.

Links in anodised aluminium.



Part number	Material	Finish	A	B	C	Weight (g)
70-1-3557	steel	zinc plated	102	80.5	76	520



Spring loaded concealed hinge - 110° opening

For horizontal applications only.

Fixing plates in polymer.



Part number	Material	Finish	A	B	C	Weight (g)
71-1-3611	steel	black zinc plated	60	162.4	71.4	132

