



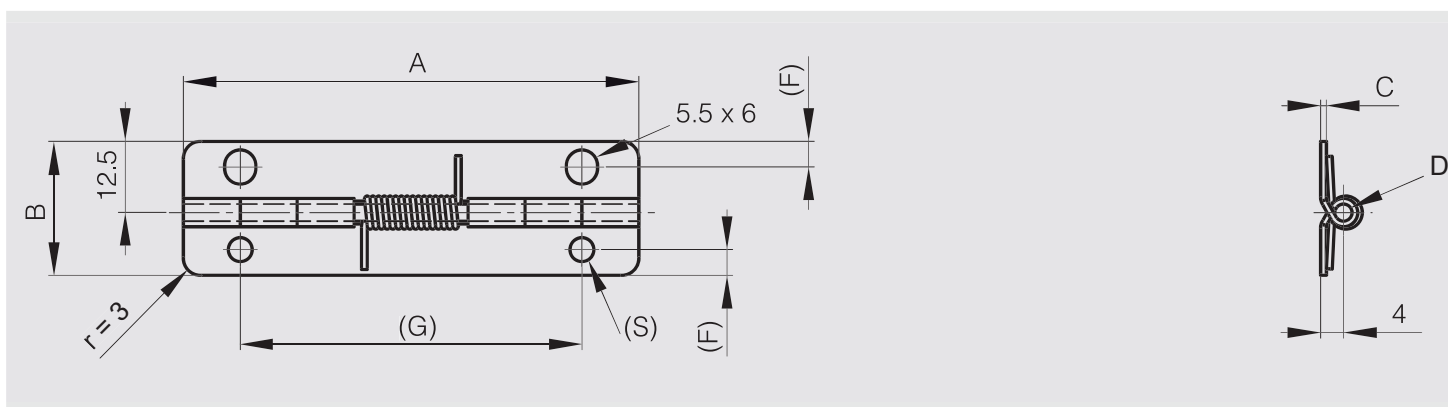
Spring hinges 80 mm long

Opening spring force:

M(0°): 0.17 N.m / M(90°): 0.12 N.m / M(180°): 0.065 N.m



Part number	Material	Finish	A	B	C	D	F	G	S	Note	Weight (g)
71-1-3578	304 stainless steel	raw	80	23.5	1	3	4.5	60	4	stainless steel opening spring	25
71-1-3304	430 stainless steel	raw	80	23.5	1	3	4.5	60	4	stainless steel opening spring	25



Spring hinges 160 mm long

Opening spring force for part numbers 71-1-3580 and 71-1-3581:

M(0°): 0.9 N.m / M(90°): 0.86 N.m / M(180°): 0.6 N.m

Closing spring force for part numbers 71-1-3618 and 71-1-3835:

M(0°): 0.12 N.m / M(90°): 0.44 N.m / M(180°): 0.55 N.m

Punched pin.



Part number	Material	Finish	A	B	C	D	F	G	S	Note	Weight (g)
71-1-3581	304 stainless steel	raw	160	46	3	6.5	30	70	4.2	stainless steel opening spring	208
71-1-3835	304 stainless steel	raw	160	46	3	6.5	30	70	4.2	stainless steel closing spring	208

