

# Hinges with dual function

## Rolled knuckle spring hinges

### Spring hinges 160 mm long

Opening spring force for part numbers 71-1-3580 and 71-1-3581:  
 $M(0^\circ)$ : 0.9 N.m /  $M(90^\circ)$ : 0.86 N.m /  $M(180^\circ)$ : 0.6 N.m

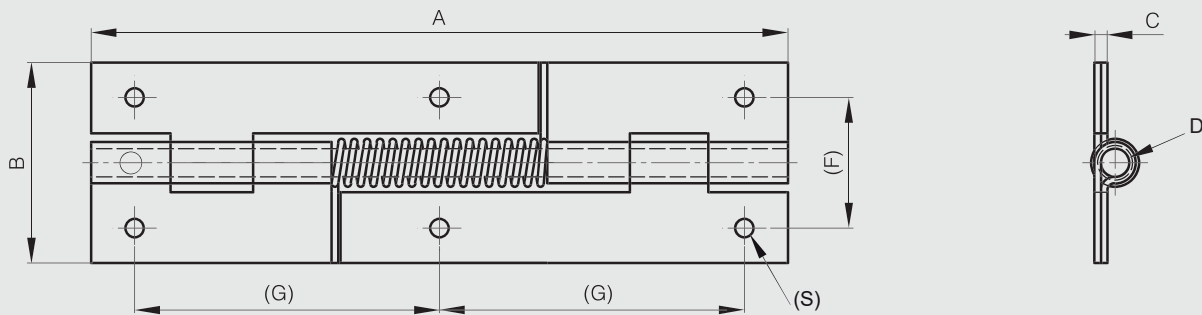


Closing spring force for part numbers 71-1-3618 and 71-1-3835:  
 $M(0^\circ)$ : 0.12 N.m /  $M(90^\circ)$ : 0.44 N.m /  $M(180^\circ)$ : 0.55 N.m

Punched pin.



Part number	Material	Finish	A	B	C	D	F	G	S	Note	Weight (g)
71-1-3580	steel	raw	160	46	3	6.5	30	70	4.2	stainless steel opening spring	208
71-1-3618	steel	raw	160	46	3	6.5	30	70	4.2	stainless steel closing spring	208
71-1-3581	304 stainless steel	raw	160	46	3	6.5	30	70	4.2	stainless steel opening spring	208
71-1-3835	304 stainless steel	raw	160	46	3	6.5	30	70	4.2	stainless steel closing spring	208



### Spring hinges 170 mm long

Opening spring force:  
 $M(0^\circ)$ : 0.24 N.m /  $M(90^\circ)$ : 0.19 N.m /  $M(180^\circ)$ : 0.14 N.m



Part number	Material	Finish	A	B	C	D	Note	Weight (g)
71-1-3303	steel	raw	170	30	0.8	2	stainless steel opening spring	41
71-1-3522	304 stainless steel	raw	170	30	0.8	2	stainless steel opening spring	42

