



Stainless steel range - Hinges

Friction hinges

Swivel torque hinge with hole diameter 34 mm - torque 7 N.m

Rotation angle: 360°.

Friction torque: 7 N.m.

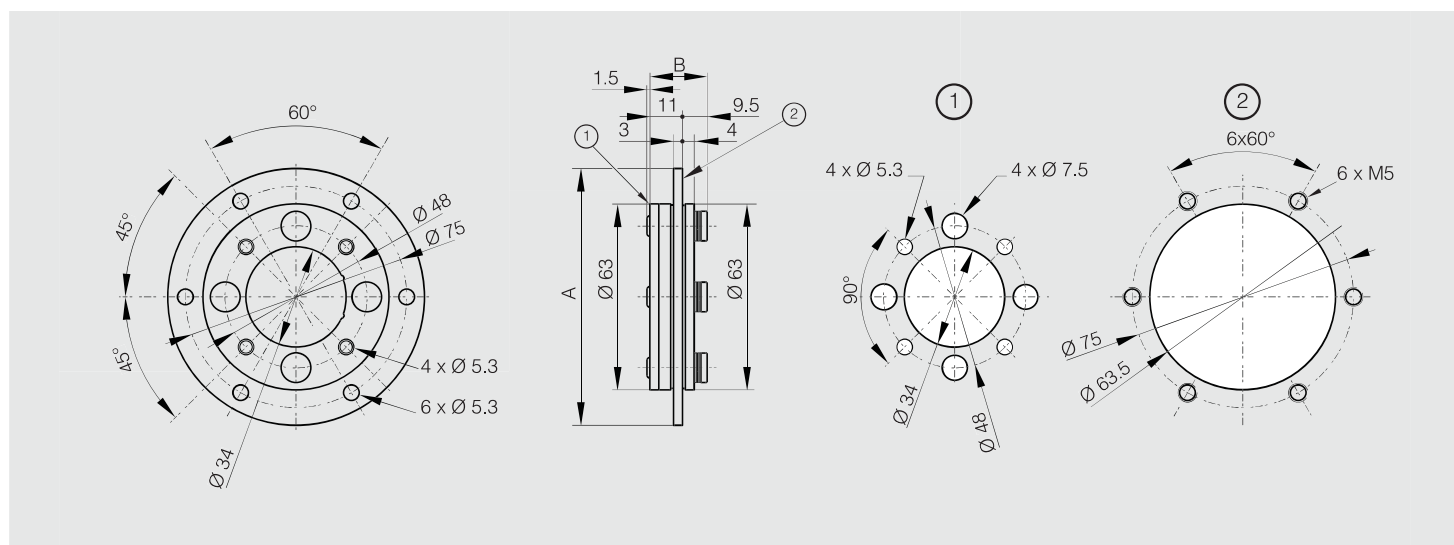
Center hole for easy cable management.

For indoor applications (industrial control panels and monitors).

Produced mainly in stainless steel, for a complete description of the materials contact us.



Part number	Material	Finish	A	B	Torque	Weight (g)
70-7-3638	430 stainless steel	polished	87	20.5	7 N.m	282



Hinge with stop at 115°

Produced mainly in stainless steel, for a complete description of the materials contact us.



Part number	Material	Finish	A	B	C	Weight (g)
52-7-3960	304 stainless steel	polished	40	105	3	122

