



## Friction hinges

### Swivel torque hinge - torque 2 N.m

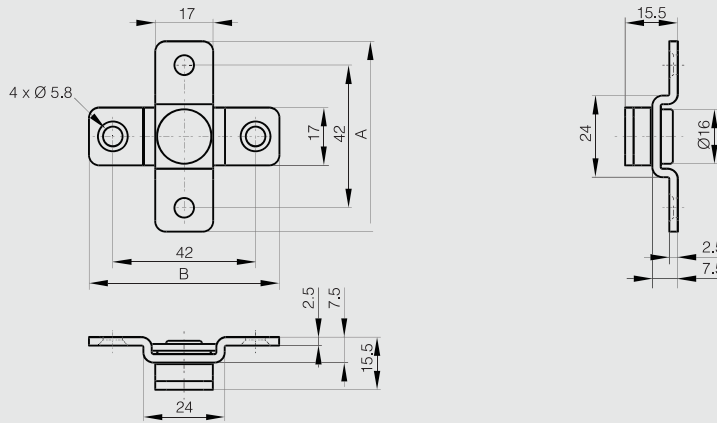
Rotation angle: 360°.

Friction torque: 2 N.m.

For indoor applications (industrial control panels and monitors).



Part number	Material	Finish	A	B	Torque	Weight (g)
70-7-3636	430 stainless steel	polished	56	56	2 N.m	50



### Swivel torque hinge with hole diameter 21.5 mm - 5 N.m

Rotation angle: 360°.

Friction torque: 3 or 5 N.m.

Center hole for easy cable management.

For indoor applications (industrial control panels and monitors).

Produced mainly in stainless steel, for a complete description of the materials contact us.



Part number	Material	Finish	A	B	Torque	Weight (g)
70-7-3637	430 stainless steel	polished	60	25	5 N.m	174
<b>NEW</b> 70-7-3661	430 stainless steel	polished	60	25	3 N.m	174

