

### Concealed hinge with friction - 180° opening

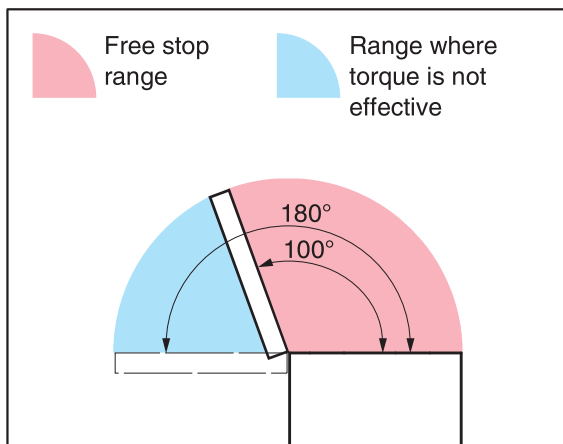
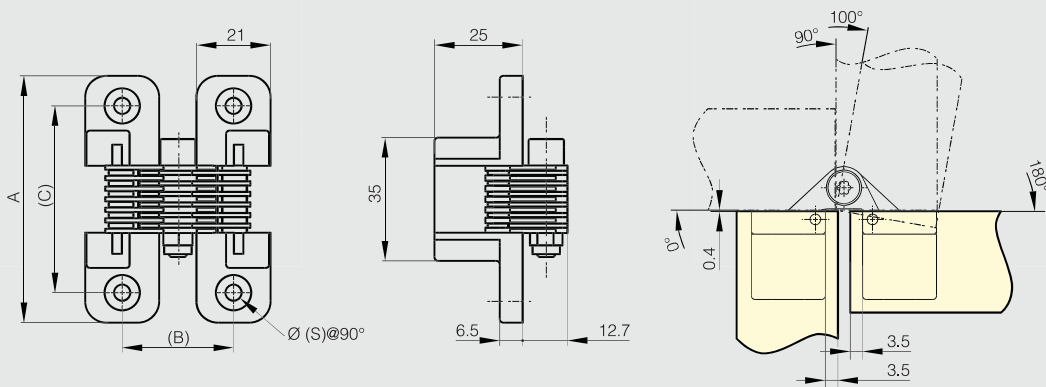
180° opening angle.

Free stop for safety. Maximum friction torque of 5 N.m for one hinge (when lid is closed).

Torque decreases as the opening angle increases, making easier to open the lid.



Part number	Material	Finish	A	B	C	S	Weight (g)
70-7-3635	zinc die-cast	satin chrome	70	31.6	53	4.6	208



Install stopper to hold the door within the range where torque is not effective.

Torque curve

