



Stainless steel range - Hinges

Concealed hinges for nested doors only

Concealed hinge with friction - 130° opening



Initial torque (0.7 N.m) may vary from -20% to +40%.

For indoor use only.

Can be used both for horizontal and vertical applications.

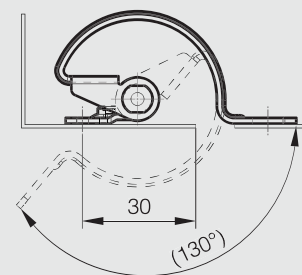
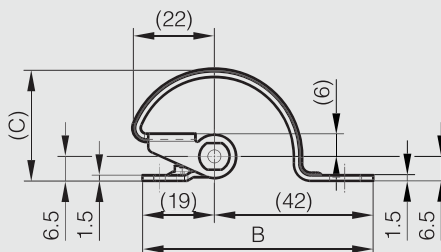
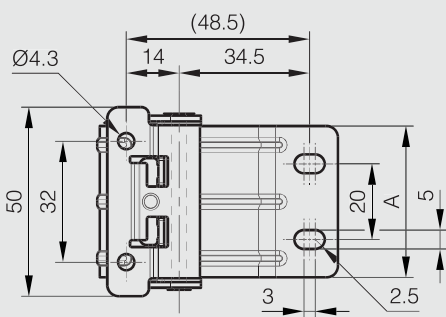
Cycle life: 20,000 cycles.

Pin: 303 stainless steel

Produced mainly in stainless steel, for a complete description of the materials contact us.



	Part number	Material	Finish	A	B	C	Torque	Weight (g)
NEW	70-7-3658	304 stainless steel	polished	40	61	30	0.7 N.m	88



Concealed hinge - 180° opening



	Part number	Material	Finish	A	B	C	D	E	F	S	Weight (g)
	70-7-3544	304 stainless steel	satin	50	19	38	14	18.2	11	2.7	33

