



Stainless steel range - Hinges

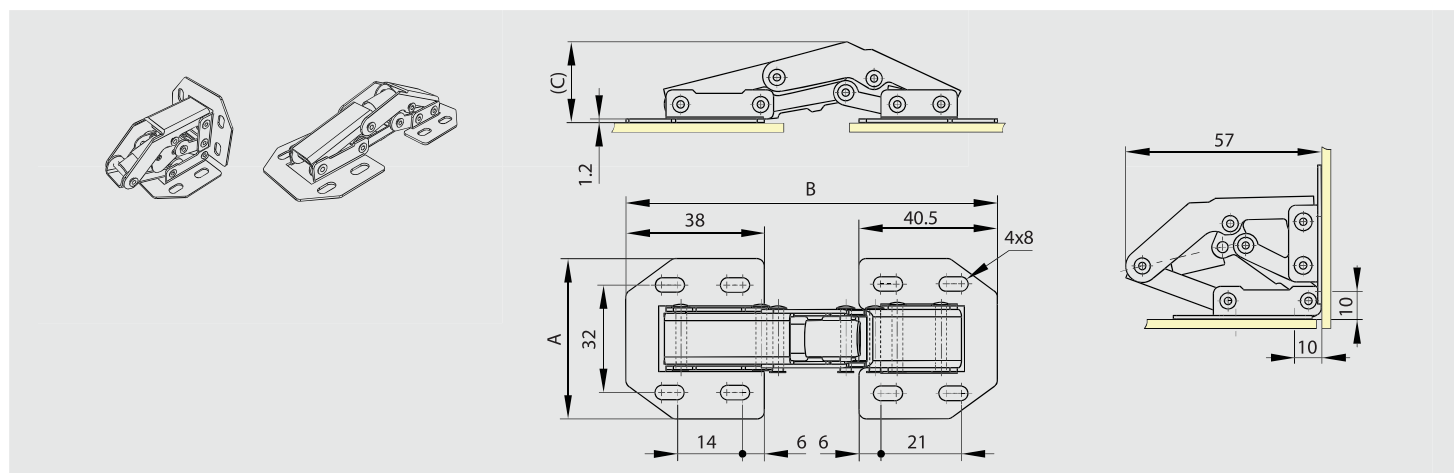
Concealed hinges for surface mounted doors or nested doors

Spring loaded concealed hinges - 90° opening

Produced mainly in stainless steel, for a complete description of the materials contact us.



Part number	Material	Finish	A	B	C	Weight (g)
70-1-9000	316 stainless steel	raw	44	104.5	26	70



Spring loaded concealed hinges - 150° opening

For door thickness max: 20 mm.

Produced mainly in stainless steel, for a complete description of the materials contact us.



Part number	Material	Finish	A	B	C	Weight (g)
70-1-9002	304 stainless steel	raw	52	121	73.5	140

