



Stainless steel range - Hinges

Concealed hinges for surface mounted doors or nested doors

Concealed hinge C - 90° opening



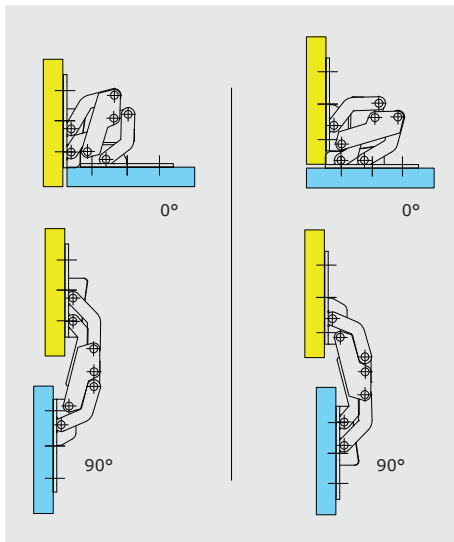
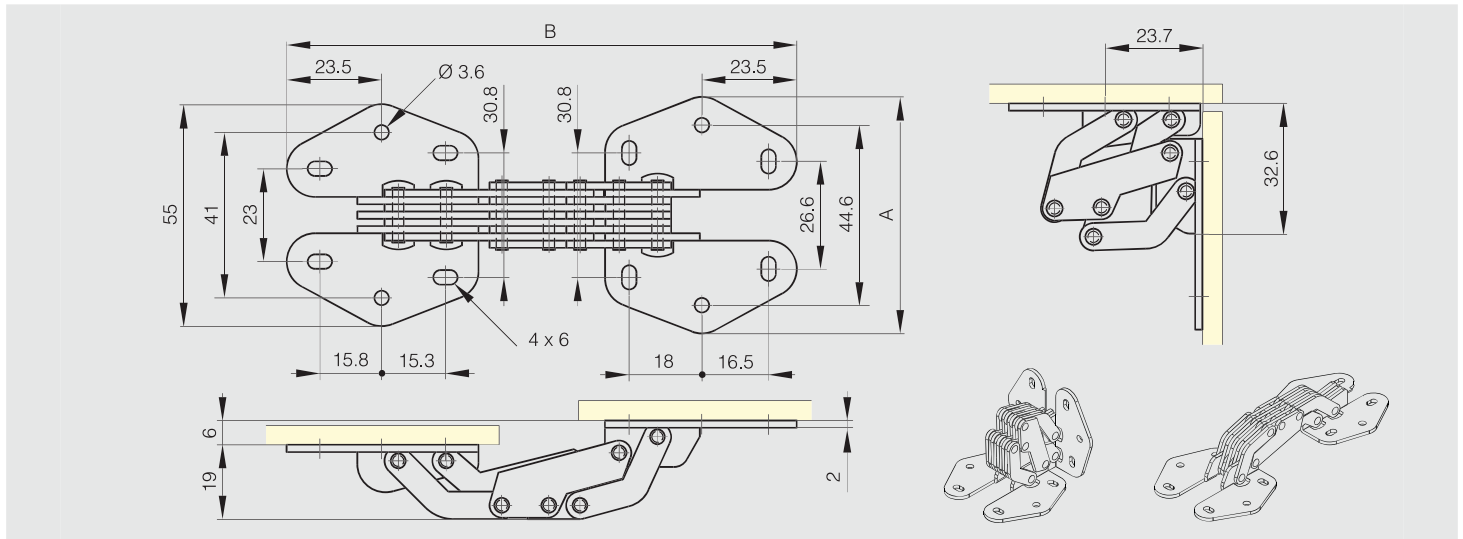
Main features:

- For nested doors or surface mounted doors.
- For horizontal applications mainly.
- 90° opening max.

Door thickness max. 20mm. Minimal gap of 0.5 to 1.5mm between door and frame.

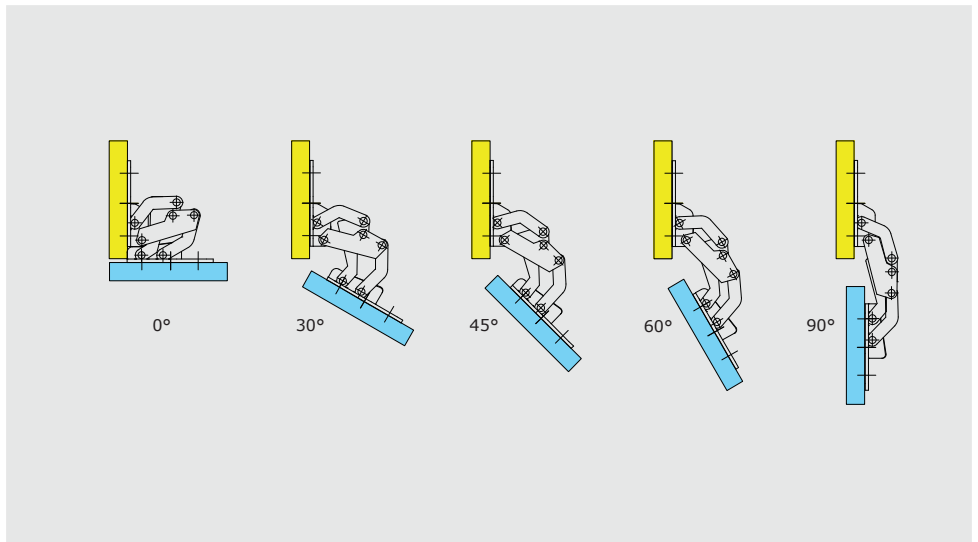


	Part number	Material	Finish	A	B	Weight (g)
NEW	70-1-3654	304 stainless steel	raw	58.6	126.5	160



Nested door assembly shown

Surface mounted assembly shown



Surface mounted assembly shown