

Concealed hinges

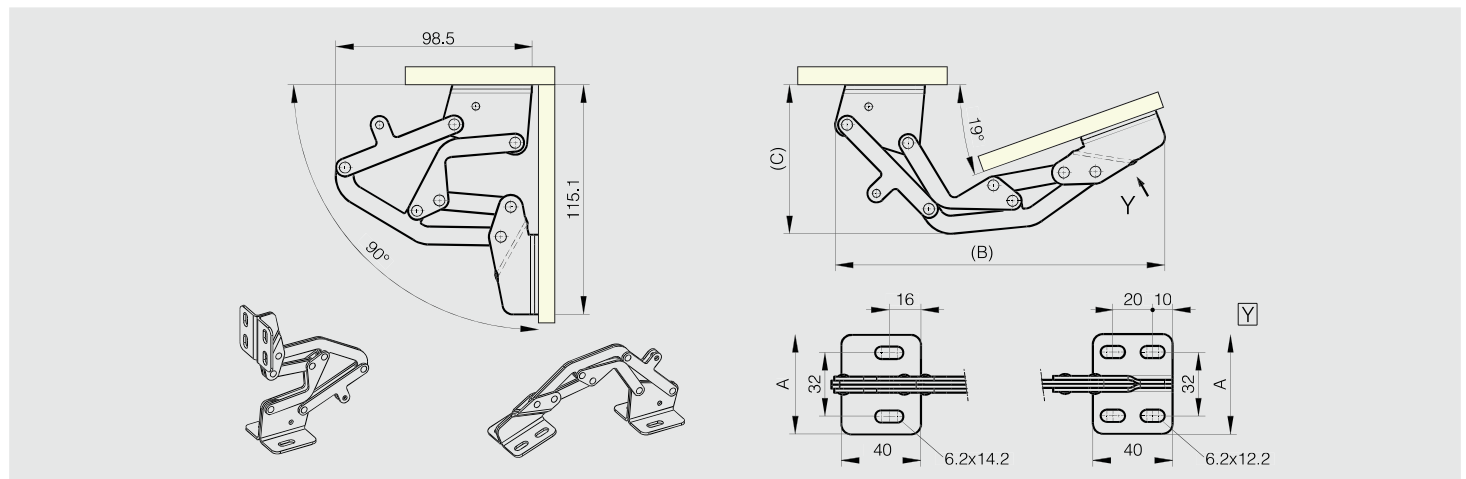
Concealed hinges for surface mounted doors or nested doors

Concealed hinge - 7 axis - steel plates - 110° opening

For horizontal applications only.
Fixing plates in steel.



Part number	Material	Finish	A	B	C	Note	Weight (g)
NEW 70-1-3645	steel	zinc plated	50	166	74.7	without spring	208



Spring loaded concealed hinge - 7 axis - steel plates - 110° opening

For horizontal applications only.
Fixing plates in steel.
Opening spring force: 1 N.m / hinge
Closing spring force: 3 N.m / hinge



Part number	Material	Finish	A	B	C	Note	Weight (g)
NEW 70-1-3646	steel	zinc plated	50	166	74.7	with spring	222

