

Concealed hinges

Concealed hinges for surface mounted doors or nested doors

Concealed hinges - 125° opening



Links in aluminium.

Pins in 430 stainless steel for 70-1-3639.

Pins in 304 Cu stainless steel for 70-1-3640.

Mounting features:

- For nested doors or surface mounted doors.
- LH or RH options.
- For horizontal or vertical applications.

Opening angle differs according to door thickness:

- 2 mm thickness: opening angle of 125°.

- 8 mm thickness: opening angle of 110°.

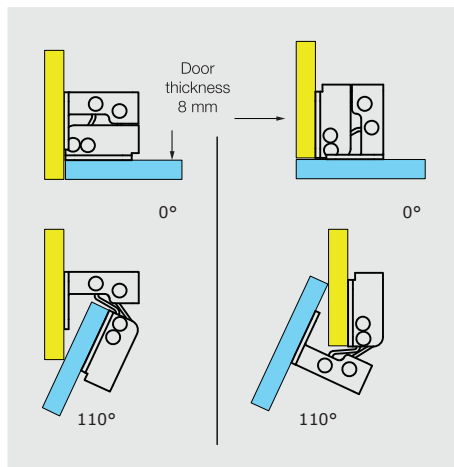
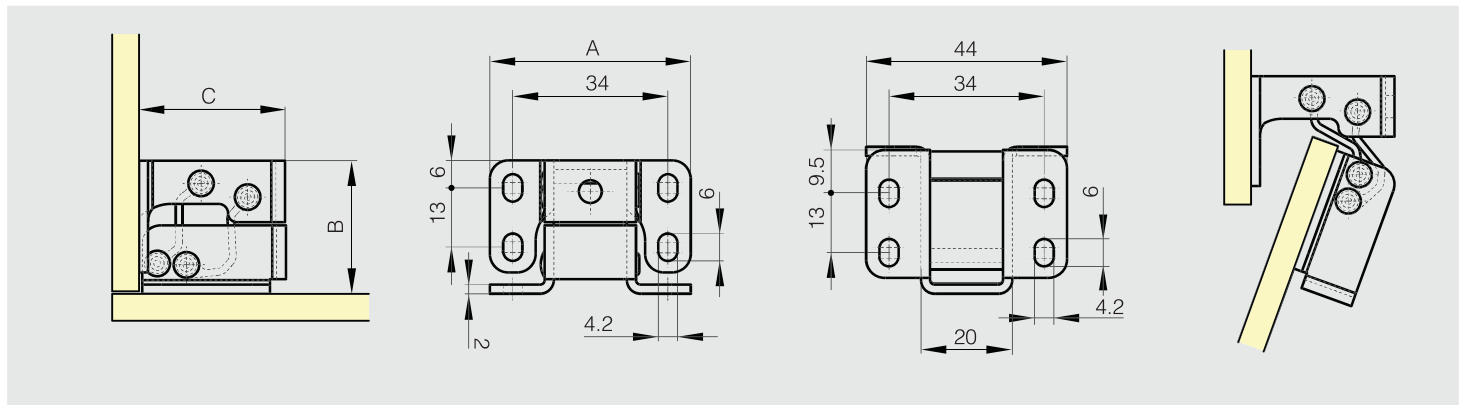
- 13 mm thickness: opening angle of 100°.

Please ask us for bespoke solutions.

Produced mainly in stainless steel, for a complete description of the materials contact us.

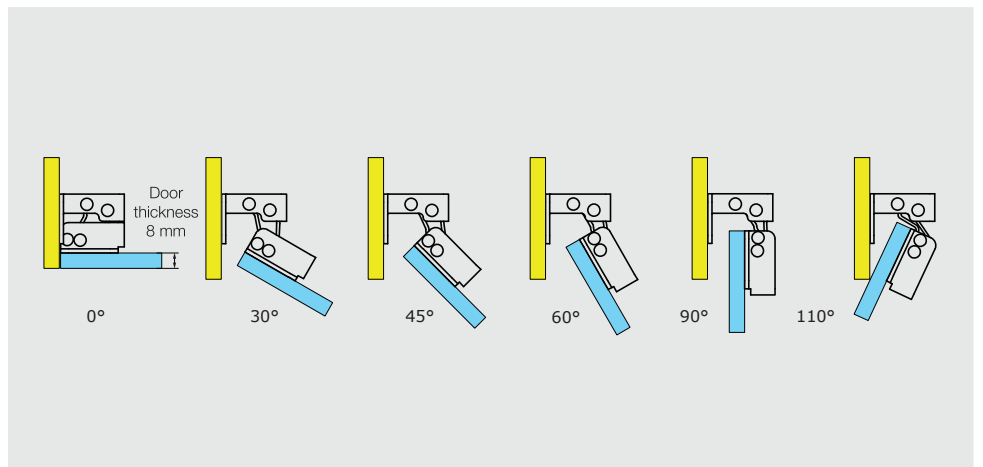


Part number	Material	Finish	A	B	C	Weight (g)
70-1-3639	steel	zinc plated	44	29	32	60
70-1-3640	316L stainless steel	raw	44	29	32	60



Nested door assembly shown

Surface mounted assembly shown



Nested door assembly shown