

Concealed hinges

Concealed hinges for surface mounted doors or nested doors

Concealed hinge C - 90° opening



Main features:

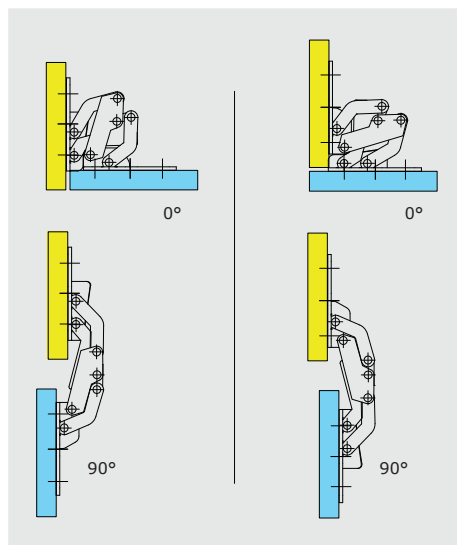
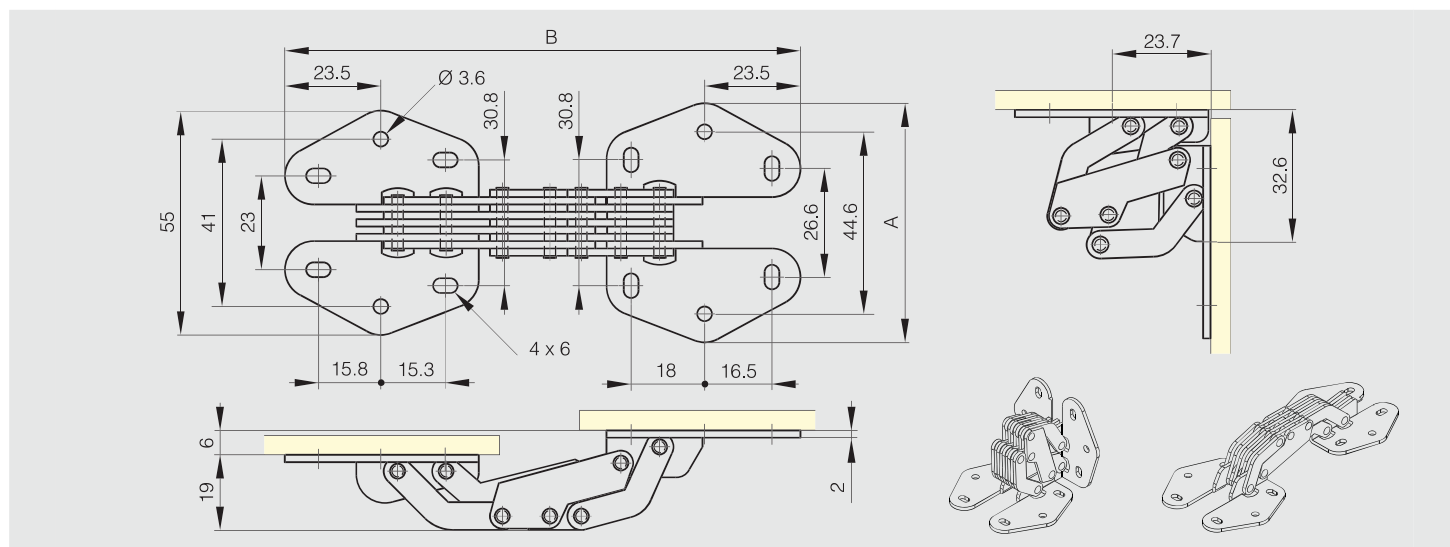
- For nested doors or surface mounted doors.
- For horizontal applications mainly.
- 90° opening max.

Door thickness max. 20mm.

Minimal gap of 0.5 to 1.5mm between door and frame.

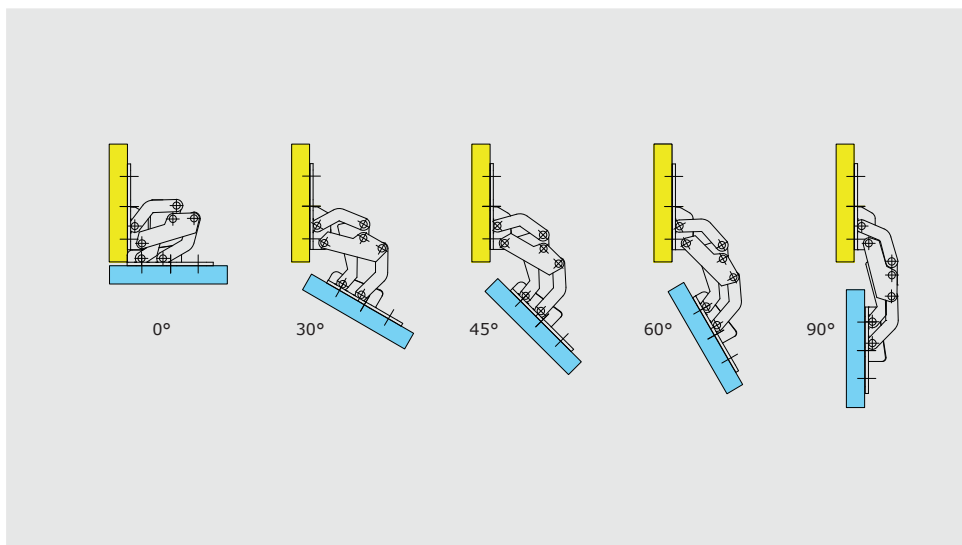


Part number	Material	Finish	A	B	Weight (g)
70-1-3626	steel	zinc plated	58.6	126.5	160
NEW 70-1-3654	304 stainless steel	raw	58.6	126.5	160



Nested door assembly shown

Surface mounted assembly shown



Surface mounted assembly shown