



Stainless steel range - Hinges

Concealed hinges for surface mounted doors or nested doors

Concealed hinges - 90° opening

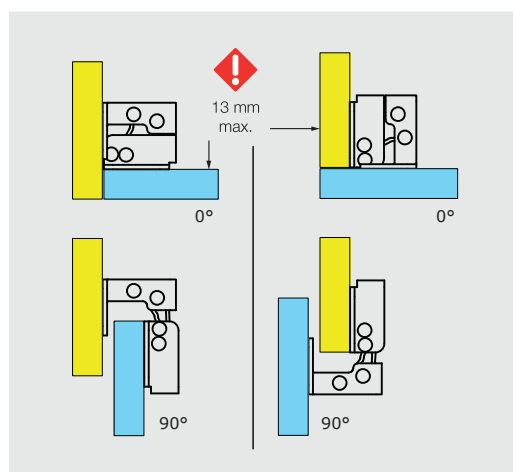
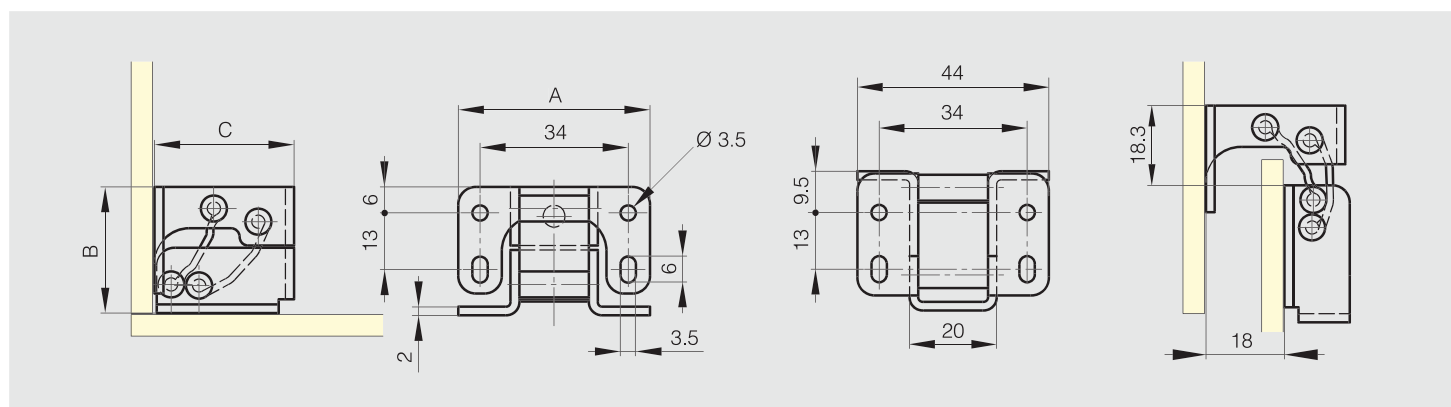
Pins and links in 316L stainless steel.

Mounting features:

- For nested doors or surface mounted doors.
- LH or RH options.
- For horizontal or vertical applications.

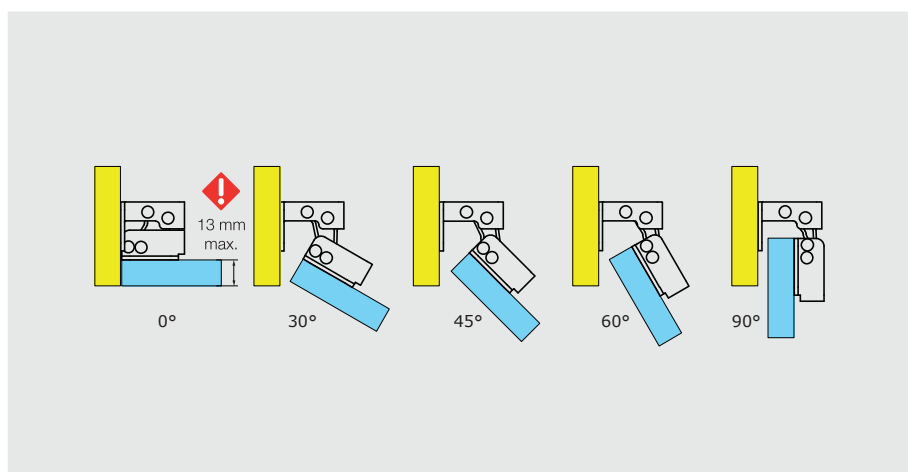


Part number	Material	Finish	A	B	C	Weight (g)
70-1-3625	316L stainless steel	raw	44	29	32	65



Nested door assembly shown

Surface mounted assembly shown



Nested door assembly shown