



# Stainless steel range - Hinges

Concealed hinges for surface mounted doors only

## Concealed hinges A - 120° opening

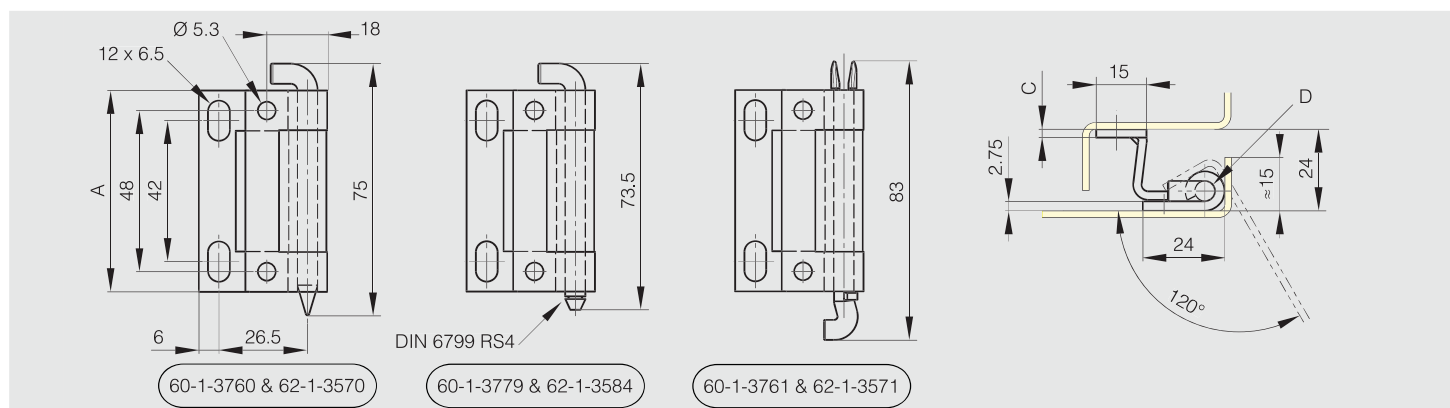
Natural POM pin diameter 6.

For pin with groove, optimal use of circlips DIN 6799 RS4 or O-ring 99-7-3723 (on request).

Produced mainly in stainless steel, for a complete description of the materials contact us.



Part number	Material	Finish	A	C	D	Pin material	Weight (g)
62-1-3570	304 stainless steel	raw	60	2.5	6	304 stainless steel pin	99
62-1-3584	304 stainless steel	raw	60	2.5	6	303 stainless steel grooved pin	98
62-1-3571	304 stainless steel	raw	60	2.5	6	Delrin POM pin	85



## Concealed hinges B - 120° opening

Natural POM pin diameter 6.

For pin with groove, optimal use of circlips DIN 6799 RS4 or O-ring 99-7-3723 (on request).

Produced mainly in stainless steel, for a complete description of the materials contact us.



Part number	Material	Finish	A	C	D	Pin material	Weight (g)
62-1-3572	304 stainless steel	raw	60	2.5	6	304 stainless steel pin	91
62-1-3585	304 stainless steel	raw	60	2.5	6	303 stainless steel grooved pin	91
62-1-3573	304 stainless steel	raw	60	2.5	6	Delrin POM pin	75

