

### Concealed hinge with removable pin - 110° opening

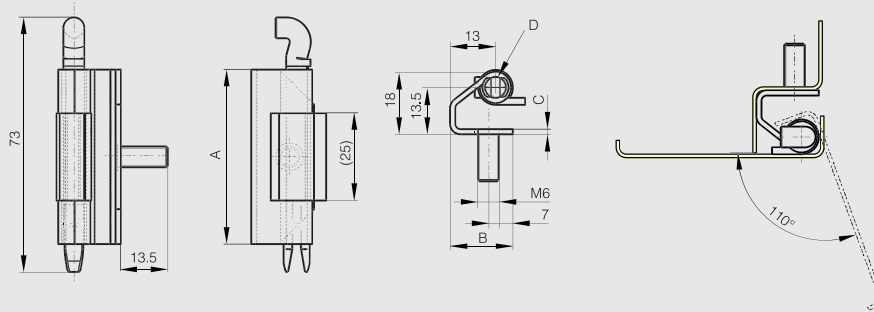
Male leaf in raw steel.

Female leaf in zinc plated steel with stud.

Removable pin in POM.



Part number	Material	Finish	A	B	C	Pin material	Note	Weight (g)
60-1-3918	steel	raw / zinc plated	50	18	1.5	POM pin	male leaf in raw steel	42



### Concealed hinges with retractable pin

Quick-release concealed hinge for tool-free door removal with fixed retractable pin.



Part number	Material	Finish	A	B	E	W	Weight (g)
62-1-9000	304 stainless steel	raw	126	17.5	3	122°	95
62-1-9001	304 stainless steel	raw	126	20.5	4	117°	102
62-1-9002	304 stainless steel	raw	126	23.9	4.5	112°	105

