

# Hinges with dual function

## Friction hinges

### Swivel torque hinge with hole diameter 34 mm - torque 7 N.m

Rotation angle: 360°.

Friction torque: 7 N.m.

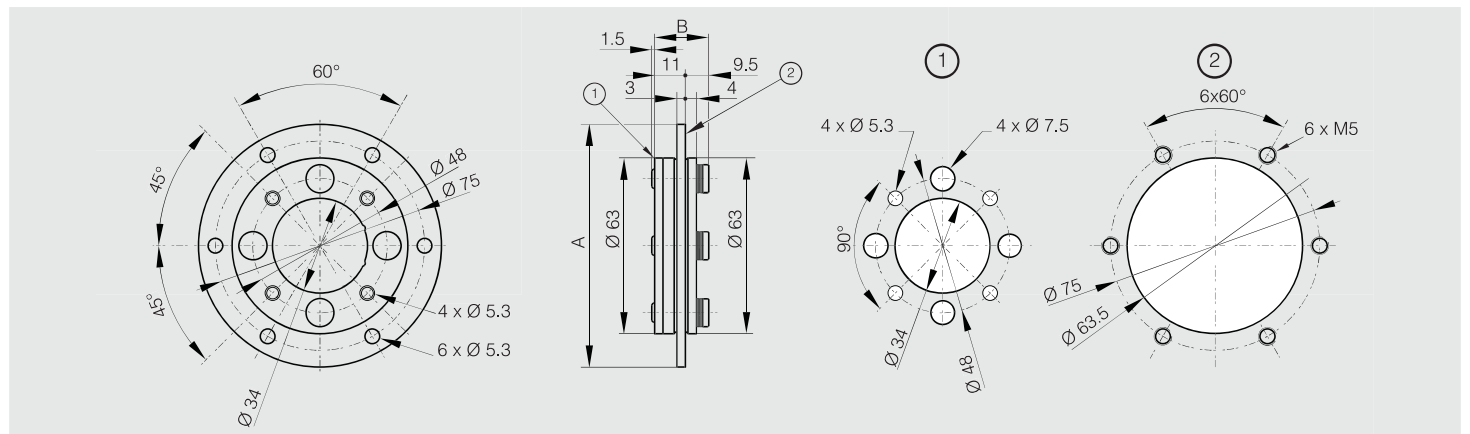
Center hole for easy cable management.

For indoor applications (industrial control panels and monitors).

Produced mainly in stainless steel, for a complete description of the materials contact us.



Part number	Material	Finish	A	B	Torque	Weight (g)
70-7-3638	430 stainless steel	polished	87	20.5	7 N.m	282



### Mini torque hinges - torque 0.25 N.m

Passed 20,000 open/close test.

Pin in 304 stainless steel.



Part number	Material	Finish	A	B	C	D	F	G	S	Torque	Weight (g)
54-7-3547	POM	black	40	28	2.5	2	5	25	3.2	0.25 N.m	5
54-7-3548	POM	white	40	28	2.5	2	5	25	3.2	0.25 N.m	5

