

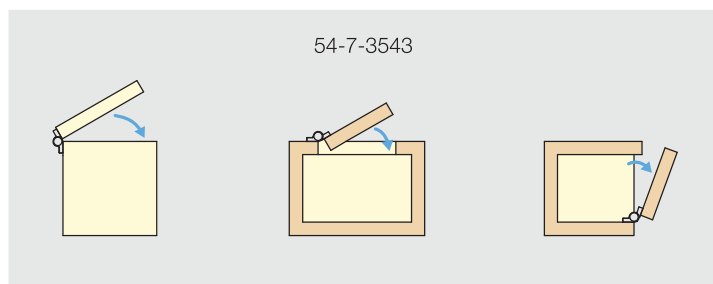
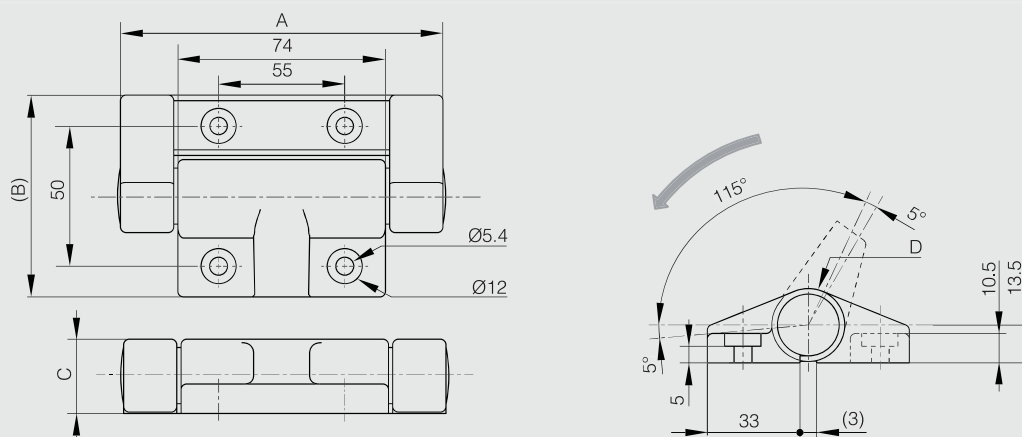
Soft-close dampening hinges in plastic



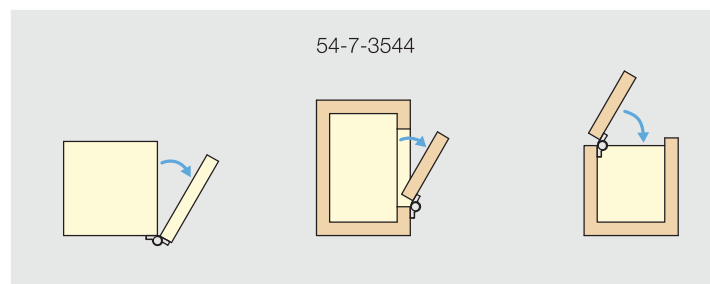
- Soft close dampening hinge: soft-close damper keeps lid from slamming shut.
 - Operating angle: 115°.
 - If the opening angle is wider than 115° (+/- 5°), mechanism is broken and damper doesn't work any longer.
 - **Provide a door stopper to prevent from overturning beyond the prescribed angle range.**
 - Do not force the door to close faster in damper effective direction. It can cause damage to the product.
 - When the door opening angle is small, the dampers may not work smoothly.
 - Torque moment (pair): 10 to 14 N.m.
 - Torque calculation:
- Torque (N.m) = L (m) x 1/2 x W (kg) x 9.8 with:
- L = door height in metre.
 - W = door weight in kilo.
- Operating temperature: 0 to +40°C
 - 2 damper working directions available:
 - part number 54-7-3543: damper working direction when opening the hinge (as shown by the arrow on the drawing).
 - part number 54-7-3544: damper working direction when closing the hinge (not shown).
 - Mounting examples: see drawings.



Part number	Material	Finish	A	B	C	D	Torque	Note	Weight (g)
54-7-3543	polymer	dark grey	115	72	26.5	26	5 - 7 N.m	Damper working direction when opening the hinge: hinge without marking color (backside)	182
54-7-3544	polymer	dark grey	115	72	26.5	26	5 - 7 N.m	Damper working direction when closing the hinge: hinge with red marking color (backside)	184



Damper working direction when opening the hinge



Damper working direction when closing the hinge