

Detent plastic hinges

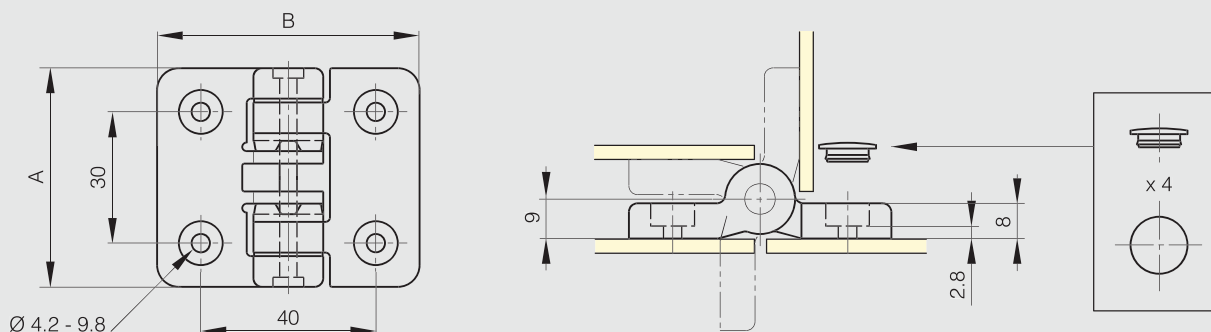
Holds door leaves in 4 different positions (90° each).

Maximum door weight: 1.2 kg/pair.

303 stainless steel pin.



Part number	Material	Finish	A	B	Torque	Weight (g)
54-7-3509	polyacetal	ivory	50	60	0.49 N.m	32
54-7-3510	polyacetal	black	50	60	0.49 N.m	32



Hinge with stop at 115°

Produced mainly in stainless steel, for a complete description of the materials contact us.



Part number	Material	Finish	A	B	C	Weight (g)
52-7-3960	304 stainless steel	polished	40	105	3	122

